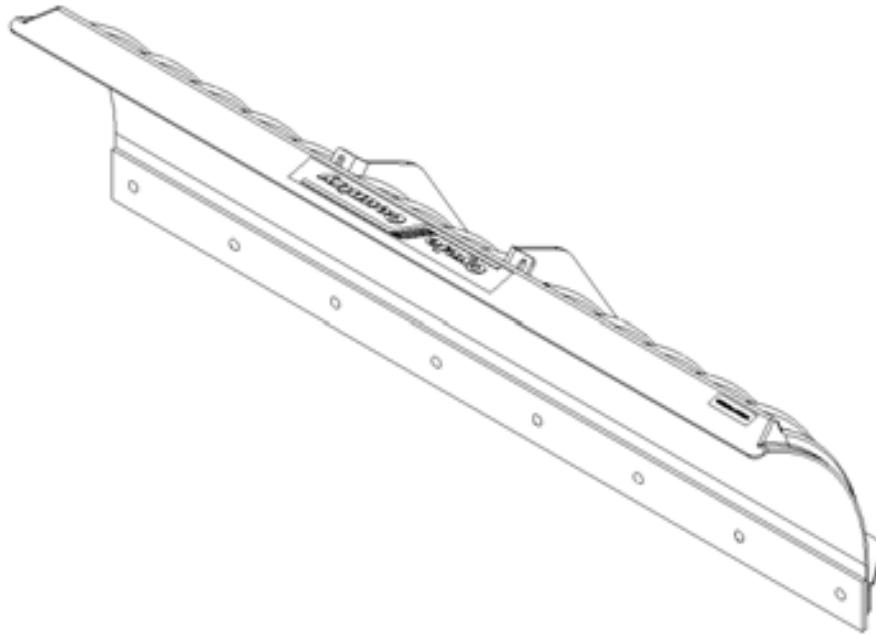




1701 38TH AVE W
PO BOX 257
SPENCER, IA 51301
PHONE: 712-262-4191
FAX: 712-262-0248
SERVICE: 800-841-2222
E-MAIL: ccac@cyclecountry.com
www.cyclecountry.com

52" X-Force Poly Plow Owner's Manual

**Model Number:
10-0260 Black
10-0290 Yellow**



**CUSTOMER MUST RECEIVE A COPY OF THIS
INSTALLATION MANUAL AT TIME OF SALE**

© 2009 Cycle Country Accessories Corp.

Rev. 3
5/24/10

MAN0008

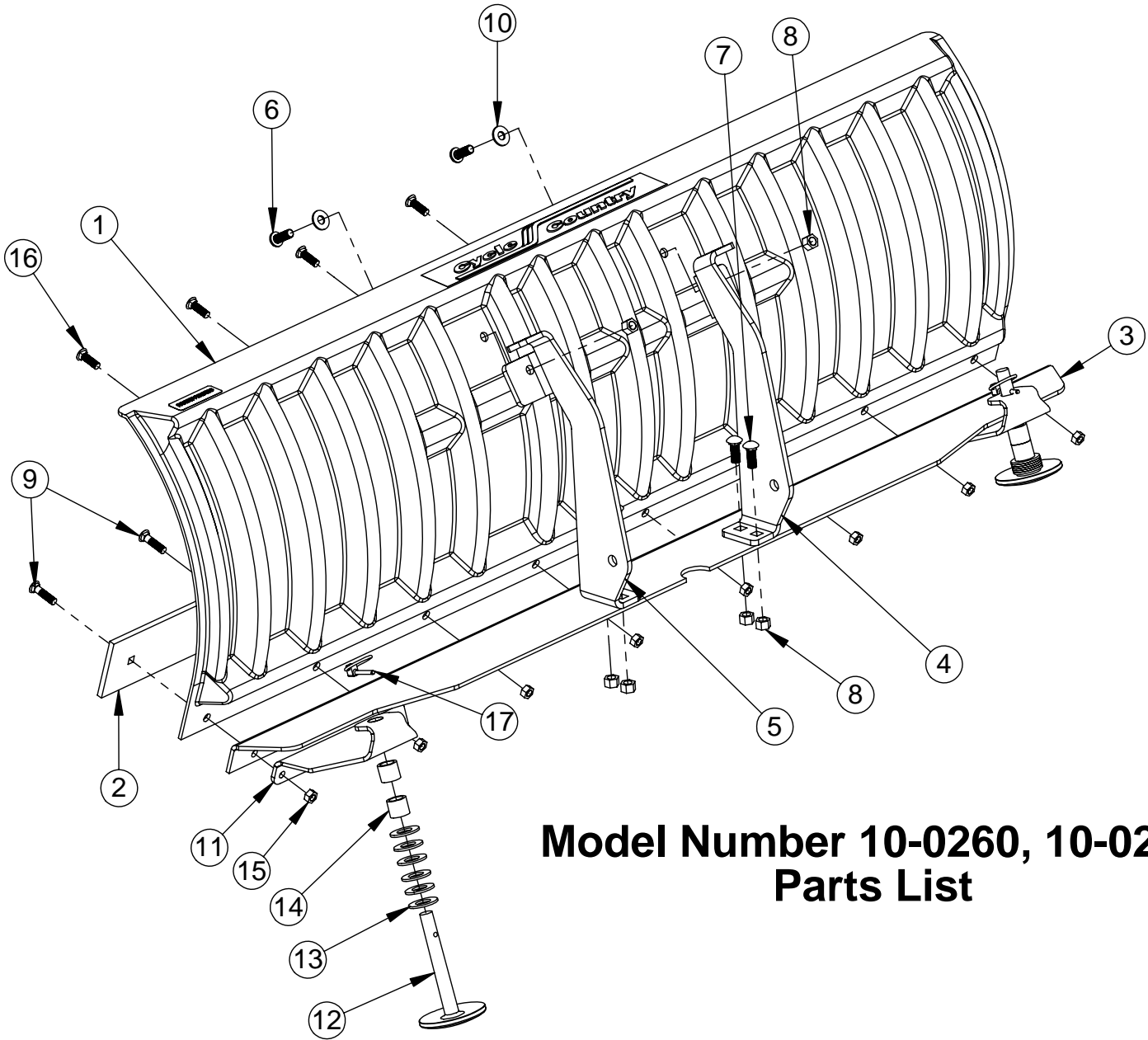
The Cycle Country X-Force Plow is a durable, lightweight plow for your ATV. The X-Force Plow works great for summer or winter plowing and features polyethylene construction for durability. To use your Cycle Country X-Force Plow, you will need a Cycle Country Push Tube (Model No. 15-0001) and a Cycle Country Mount Kit for your model of ATV. You will also need a blade lift system. For this you can use a Cycle Country Winch Kit, a Cycle Country Power Max Electric Lift (Model No. 15-0060), or a Cycle Country Manual Lift (Model No. 15-0015).

Operating Instructions **Read Before Operating**

Warning

1. Read plow owner's manual and ATV operator's manual before use.
2. Do not exceed 5 mph with blade installed.
3. Operate with extreme caution on slopes and rough terrain.
4. Keep away from blade and moving parts during operation.
5. Before adjusting blade angle, stop ATV and set parking brake.
6. When plowing snow or dirt into a pile, start backing up before raising the blade.
7. Do not ram the blade into piles of dirt or snow; slow down before hitting the pile.
8. Be aware of objects that could be hidden under snow.
9. Before use, put plow in angled position and check for clearance between plow and ATV tires.
10. Your plow and hardware were designed with your safety in mind. In order to protect you and your ATV, certain parts of the blade and / or hardware are designed to fail when the equipment is over stressed. For this reason push tubes, blade hinges, mounting brackets, and clevis pins are not covered by warranty.

Assemble as shown below:



Model Number 10-0260, 10-0290 Parts List

ITEM NO.	QTY.	PART NO.	DESCRIPTION	ITEM NO.	QTY.	PART NO.	DESCRIPTION
1	1	OSP0084	Blade 52 Plastic Black	10	2	PUR2010	Flatwasher 5/16" Black
2	1	12-0140	Wear Bar 52" Double Sided	11	2	CYC1011	Skid Bracket
3	1	CYC1007	Angle	12	2	PUR1467	Skid Cast Heavy Duty
4	1	CYC1008	Rib RH	13	12	PUR1246	Flatwasher 5/8 SAE
5	1	CYC1009	Rib LH	14	4	PUR0400	Spacer
6	2	PUR2263	3/8" x 1" Button Head Screw	15	8	PUR1275	Locknut 5/16" Nylock Clear Zinc
7	4	PUR1185	Carriage Bolt 3/8" x 1"	16	4	PUR1189	Carriage Bolt 5/16" x 1" Clear Zinc
8	6	PUR1272	Locknut 3/8" Nylock	17	2	PUR1359	Quick Pin .1875 x 1.5
9	4	PUR1191	Carriage Bolt 5/16" x 1-1/4"				



1701 38TH AVE W
PO BOX 257
SPENCER, IA 51301
PHONE: 712-262-4191
FAX: 712-262-0248
SERVICE: 800-841-2222
E-MAIL: ccac@cyclecountry.com
www.cyclecountry.com

Limited Lifetime Warranty

This Blade has a limited lifetime warranty. This means that this blade is guaranteed to be free of defect in material and workmanship, for the life of the blade. The warranty does not apply to blades that have been damaged by accident, alteration, abuse, or other causes beyond Cycle Country Accessories Corporation's control.

All transportation cost incurred by the purchaser in submitting the blade to Cycle Country Accessories Corporation for replacement under this warranty must be borne by the purchaser. If Cycle Country Accessories Corporation determines that the product must be returned to the factory for credit please call 1-800-841-2222 for an RMA number and shipping instructions.