

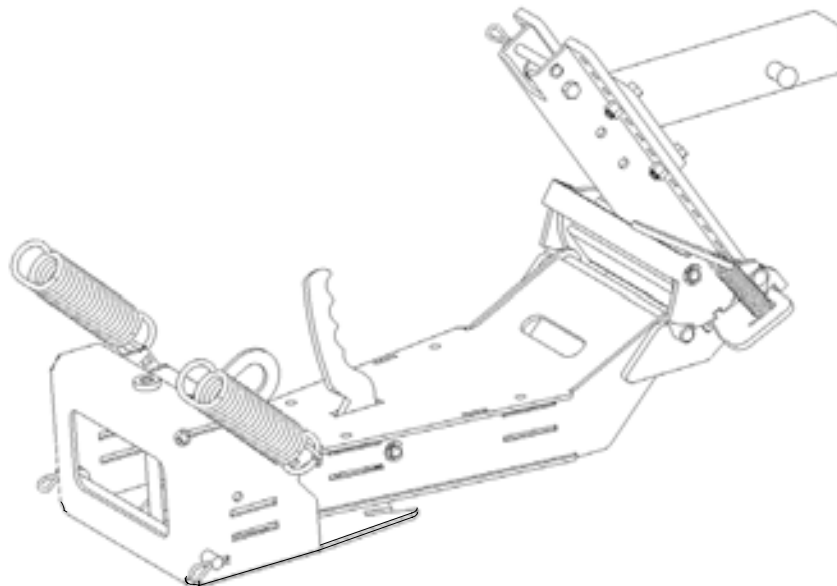


1701 38TH AVE W
PO BOX 257
SPENCER, IA 51301
PHONE: 712-262-4191
FAX: 712-262-0248
SERVICE: 800-841-2222
E-MAIL: ccac@cyclecountry.com
www.cyclecountry.com

UTV SNOW FORCE™ PUSH TUBE KIT

OWNER'S MANUAL

MODEL NUMBER: 18-0030



**CUSTOMER MUST RECEIVE A COPY OF THIS
OWNERS MANUAL AT TIME OF SALE**

OPERATING INSTRUCTIONS READ BEFORE OPERATING

WARNING !

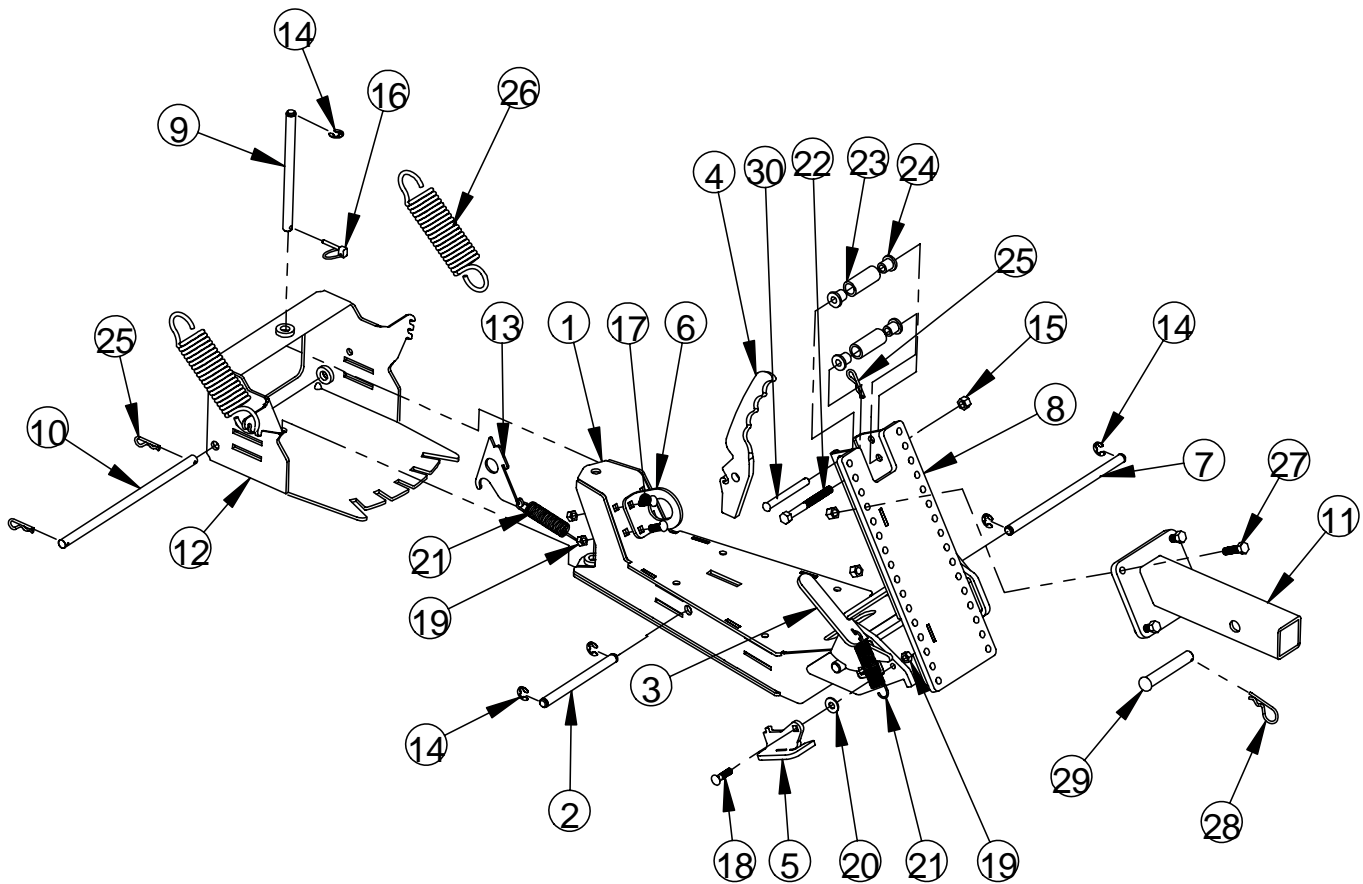
TO AVOID SERIOUS INJURY OR DEATH:

1. DO NOT EXCEED 5 MPH WITH BLADE OR MOUNTING BRACKET(S) INSTALLED.
2. DUE TO REDUCED GROUND CLEARANCE, REMOVE THE PLOW MOUNTING BRACKET(S) BEFORE TRAIL RIDING.
3. OPERATE WITH EXTREME CAUTION ON SLOPES, STEEP GRADES, AND ROUGH TERRAIN.
4. KEEP AWAY FROM BLADE AND MOVING PARTS DURING OPERATION.
5. WHEN PLOWING SNOW OR DIRT INTO A PILE, START BACKING UP BEFORE RAISING THE BLADE.
6. DO NOT RAM THE BLADE INTO THE PILE.
7. BE AWARE OF POSSIBLE HIDDEN OBJECTS UNDER SNOW.

CAUTION

TO AVOID PERSONAL INJURY:

1. READ BLADE OWNER'S MANUAL, UTV OPERATOR'S MANUAL, AND SAFETY DECALS BEFORE OPERATING.
2. WEAR HEAD PROTECTION, SAFETY GLASSES, AND SHOES AS RECOMMENDED IN UTV OPERATOR'S MANUAL.
3. DO NOT ALLOW RIDERS ON BLADE OR UTV WHILE MOVING OR STATIONARY.
4. KEEP BYSTANDERS AWAY FROM BLADE OR UTV WHILE MOVING OR STATIONARY.
5. BEFORE ADJUSTING BLADE ANGLE, STOP UTV ENGINE, SET AND LOCK BRAKES, RAISE BLADE IN UP POSITION.
6. WHEN BLADE IS NOT IN USE, STOP UTV ENGINE, SET AND LOCK BRAKES, AND LOWER BLADE TO DOWN POSITION.
7. ONLY MATURE ADULTS OVER THE AGE OF 16 SHOULD OPERATE THE MACHINERY.
8. DO NOT USE THIS EQUIPMENT AT NIGHT OR WHEN VISIBILITY IS POOR UNLESS YOUR UTV HAS ADEQUATE LIGHTING.



Model Number 18-0030 Parts List

ITEM NO.	QTY.	PART NO.	DESCRIPTION	ITEM NO.	QTY.	PART NO.	DESCRIPTION
1	1	UTV0296	Pushtube Weldment	16	1	PUR1359	Quick Pin .1875 x 1.5
2	1	UTV0302	Pin-Blade Position Lever	17	2	PUR1189	Carriage Bolt 5/16" x 1" Clear Zinc
3	1	UTV0303	Latch	18	1	PUR1191	Carriage Bolt 5/16" x 1-1/4"
4	1	UTV0304	Blade Position Lever	19	3	PUR1275	Locknut 5/16" Nylock Clear Zinc
5	1	UTV0305	Release Lever	20	1	PUR1244	Flatwasher 5/16"
6	1	UTV0306	Hook Lug	21	2	PUR1437	Spring
7	1	UTV0308	Pin-Latch	22	1	PUR1153	3/8" x 3-3/4" Bolt
8	1	UTV0309	Pivot Mount Weldment	23	2	CYC0942	Short Roller
9	1	UTV0418	Blade Angle Pivot Pin	24	4	CYC5396	Roller Bushing
10	1	UTV0314	Blade Pin	25	3	PUR1249	# 3 Hair Pin Yellow
11	1	UTV0316	Receiver Mount Weldment	26	2	PUR1409	Blade Spring
12	1	UTV0319	Pivot Head Weldment	27	4	PUR1142	Bolt 3/8" x 1-1/4"
13	1	UTV0323	Spring Anchor	28	1	PUR1253	Pin Spring Locking
14	5	PUR2270	Retaining Ring E-Style .5	29	1	PUR1212	5/8" x 3 1/2" Clevis Pin Yellow
15	5	PUR1272	Locknut 3/8" Nylock	30	1	PUR2367	Clevis Pin 3/8" x 3 1/2"

The Cycle Country Snow Force snow plow system is designed to attach to the front of your UTV using a 2" receiver. The modular design allows you to select the plow components that best meet your needs.

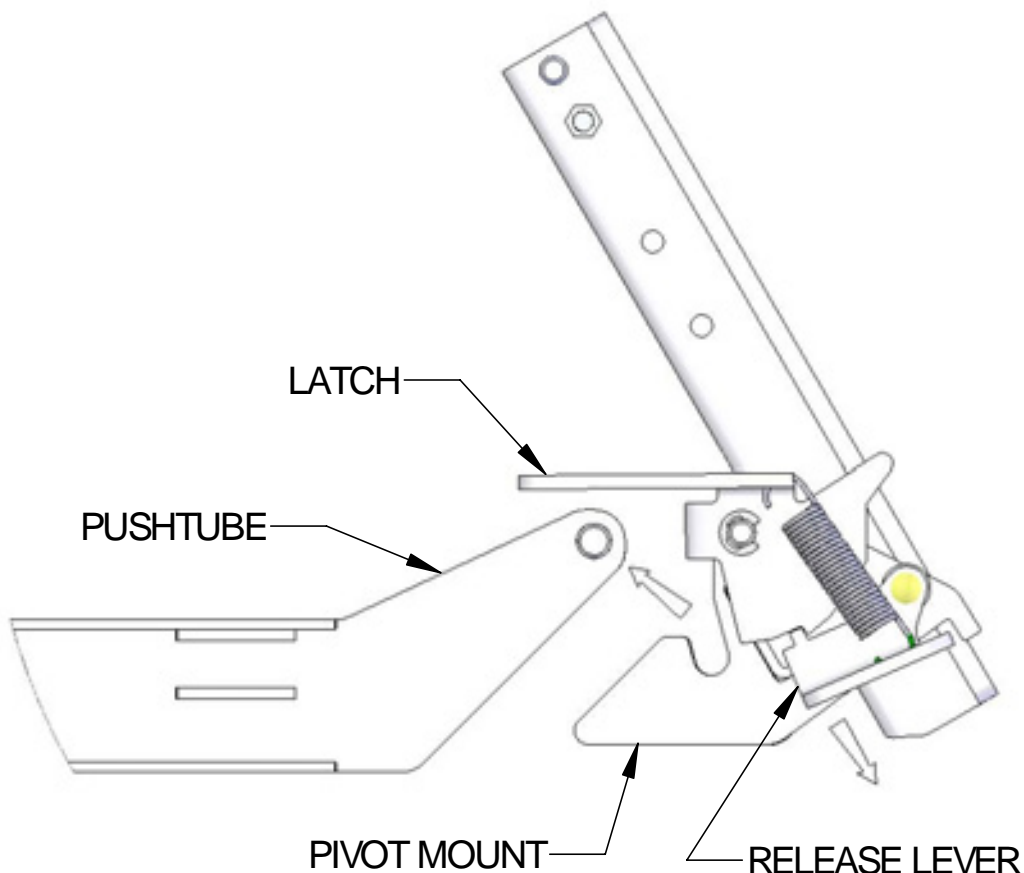
The Cycle Country Snow Force Push Tube Kit is the heart of the Snow Force plow and is required for all plow configurations. In addition to the Push Tube Kit, a Cycle Country 2" receiver kit for your model of UTV must be purchased if your UTV is not already equipped with a receiver. A Cycle Country plow must be purchased from the many styles and sizes available.

The Cycle Country Snow Force Push Tube Kit offers an adjustable mounting height to ensure that the entire edge of your plow will stay in contact with the ground, even when the plow is angled to one side. A quick attach feature allows you to easily and quickly attach and detach your plow from your UTV. The Snow Force push tube includes a manual blade angle feature that allows the plow to be angled to one of 5 positions. Optional hydraulic blade angling kits are also available.

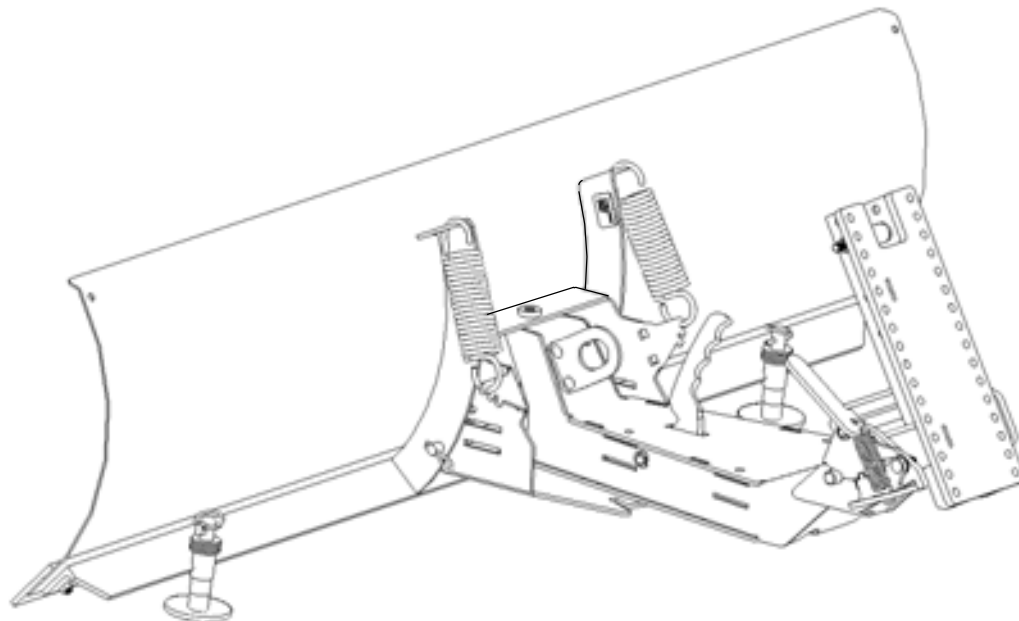
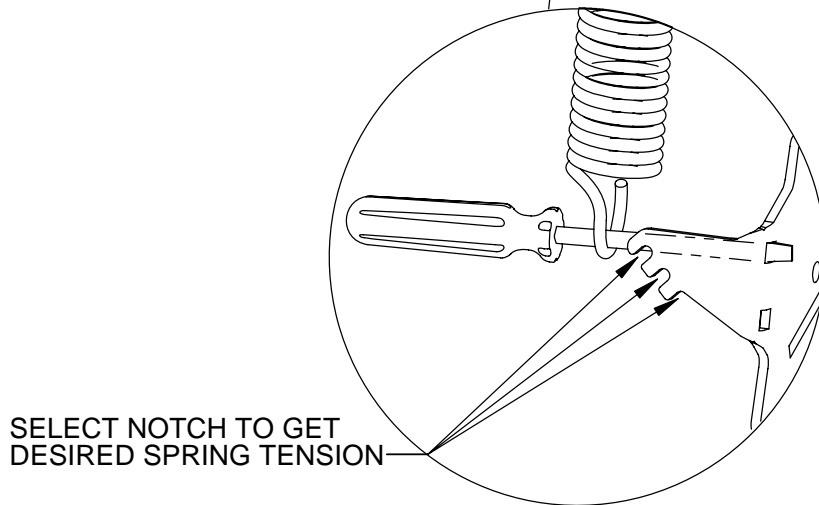
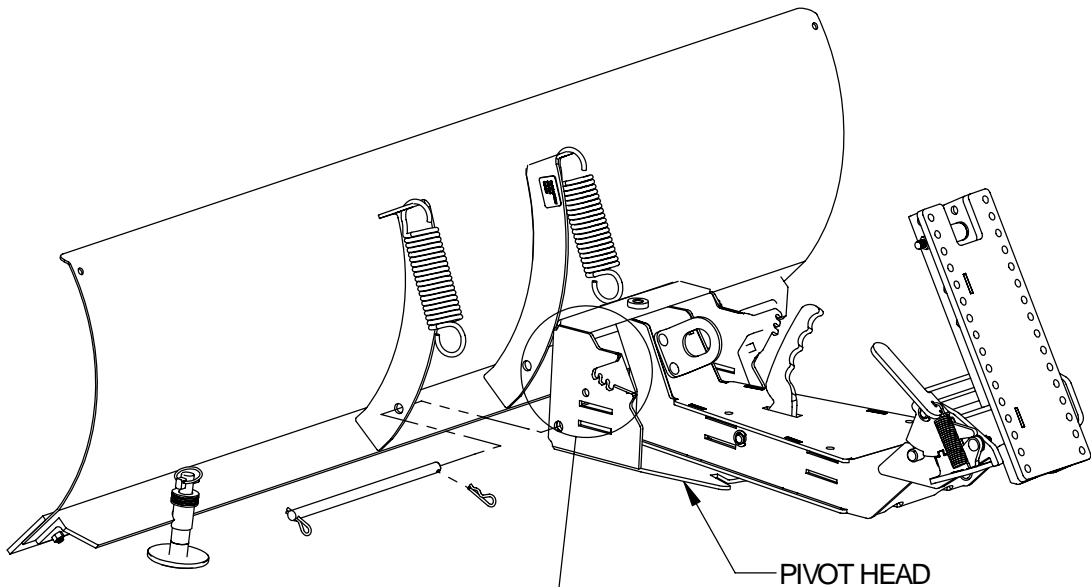
A lifting method is required to raise and lower your plow. The Snow Force Hydraulic Lift Kit may be used, or any commercially available UTV winch may be used. Winches and winch mounting kits may be purchased from Cycle Country. If a winch is used, the optional Snow Force Down Pressure Kit may also be purchased to provide an extra downward force on the plow.

Assembly:

Detach the pushtube from the pivot mount by pushing the release lever down and moving the latch back to lock it into the open position. The push tube can then be lifted out of the pivot mount.

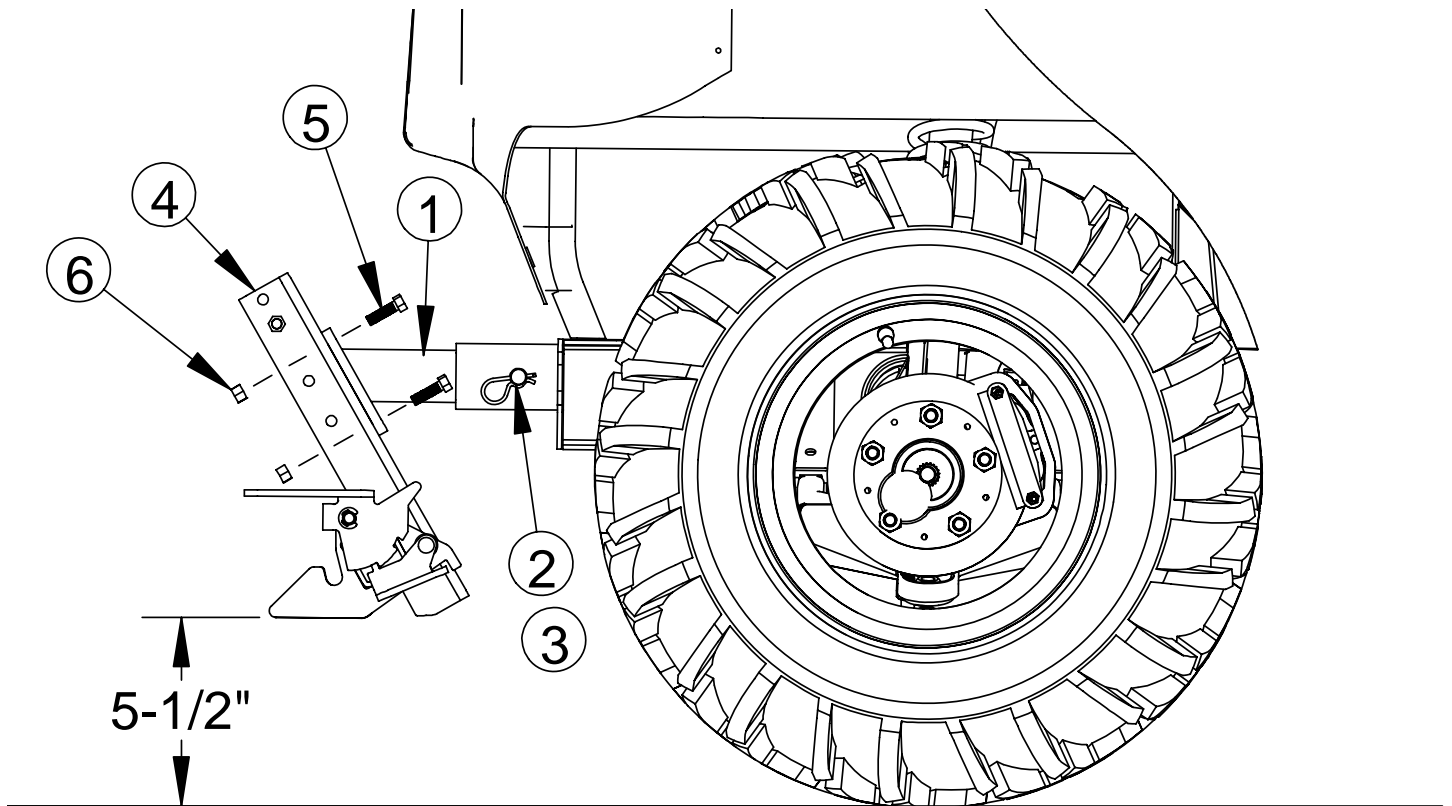


Attach your plow (sold separately) and springs (item 26) to the pivot head as shown below. A large screwdriver may be used to pry the springs on. For V plows see the instructions included with the plow.

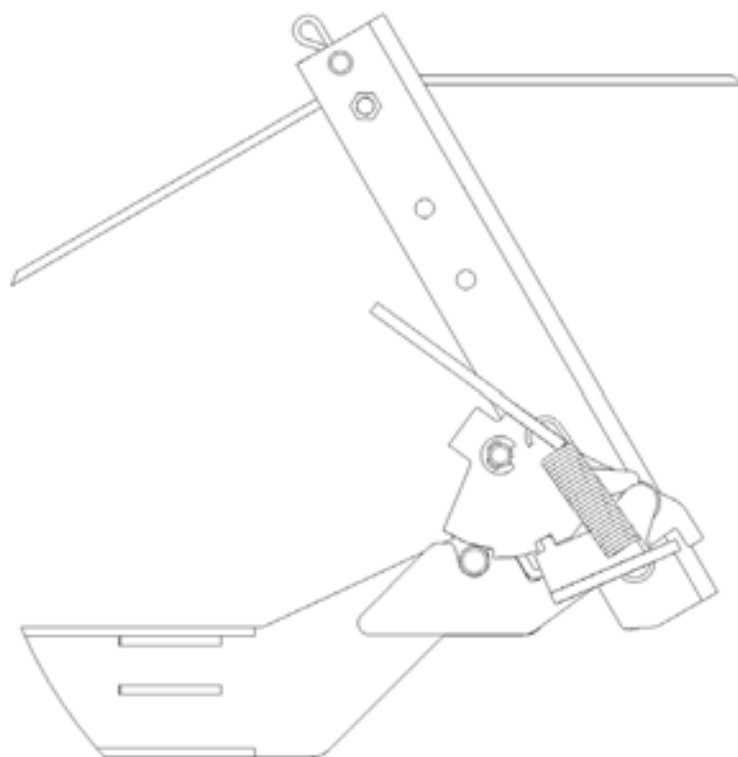
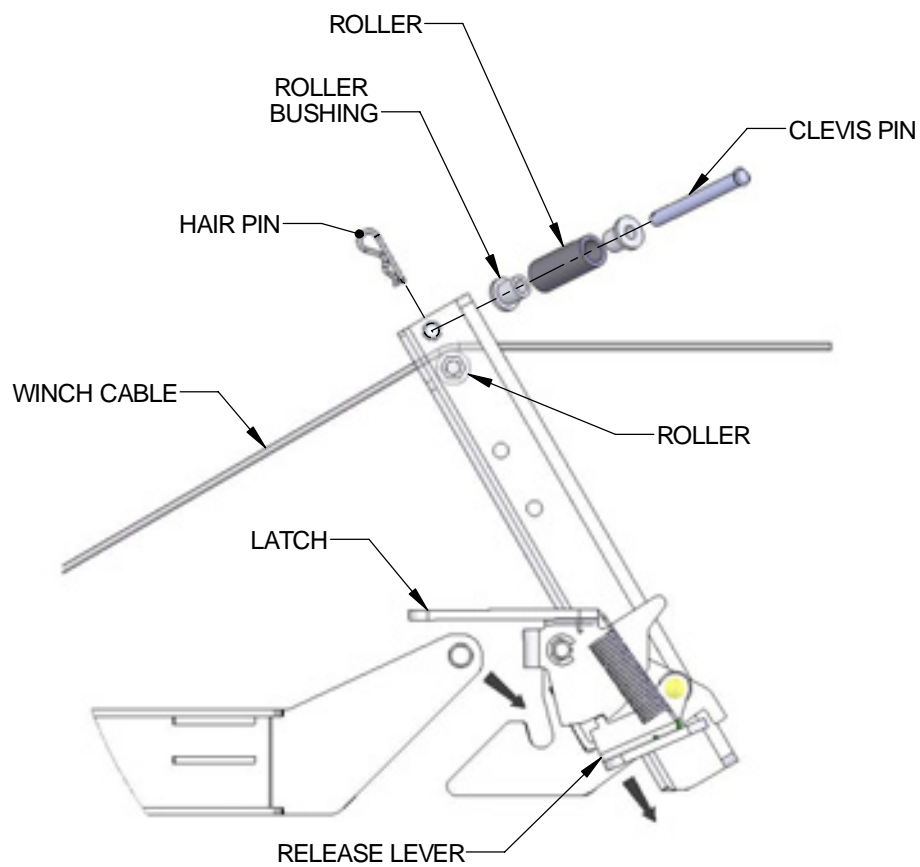


Installation:

Install the receiver mount (item 1) into your UTV's receiver (sold separately). Install the hitch pin and hairpin (items 2, 3) as shown below. Bolt on the pivot mount (item 4) using items 5 and 6. Select the mounting holes in the pivot mount that place the bottom edge of the pivot mount 5-1/2" above the ground.

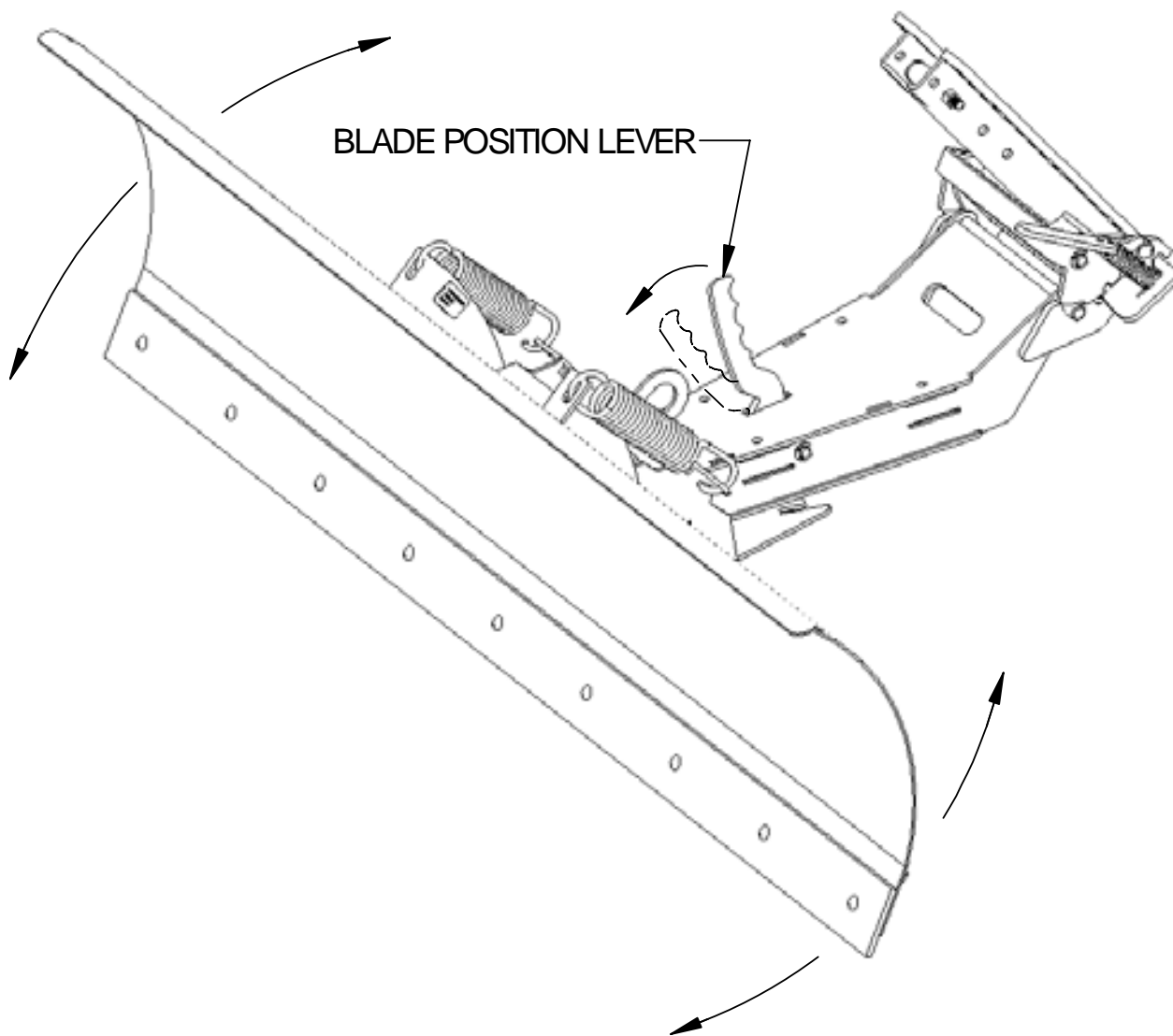


To attach the pushtube to your UTV, set the pushtube into the hooks on pivot mount. Push the release lever down to allow the latch to lock into the closed position. If you are using a winch to raise and lower your plow, route the cable over the bottom roller. Insert the top roller and roller bushings and insert clevis pin. Attach your winch hook to the hook lug.



Operation:

To change the angle of the blade, pull the blade position lever towards the plow, rotate the plow to the desired angle, then release the blade position lever. Make sure the blade position lever engages one of the 5 detents on the pivot head.





1701 38TH AVE W
PO BOX 257
SPENCER, IA 51301
PHONE: 712-262-4191
FAX: 712-262-0248
SERVICE: 800-841-2222
E-MAIL: ccac@cyclecountry.com
www.cyclecountry.com

ONE YEAR LIMITED WARRANTY

For the period of one year from the purchase date Cycle Country Accessories Corporation will replace for the original purchaser, free of charge, any part or parts, when found, upon examination by Cycle Country Accessories Corporation, to be defective in material, workmanship, or both.

All transportation cost incurred by the purchaser in submitting the material to Cycle Country Accessories Corporation for replacement under this warranty must be borne by the purchaser. If Cycle Country Accessories Corporation determines that the product must be returned to the factory for credit please call 1-800-841-2222 for an RMA number and shipping instructions.

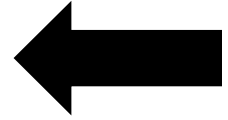
The warranty does not apply to parts that have been damaged by accident, alteration, abuse, improper lubrication, normal wear, or other causes beyond Cycle Country Accessories Corporation's control. Products such as engines, electric motors, and actuators may carry an original manufacturer's warranty. Please call Cycle Country Accessories Corporation for information.



Cycle Country Accessories Corporation has been a world-renowned manufacturer of quality ATV products since 1981 and we hope you will enjoy your new Cycle Country accessory.



Check out our other accessories



We're the Industry Snow Blade leader:

48", 54", 60" & 72" Bear Force Straight Blades 52" & 60" State Plows

72" 'V' Force Plow System "New" A.R.M. 52" Plow available in Poly or Steel Blade

If a winch is what you must have, then you've come to the right place:

1500lb and 2500lb Winches

We also have an extensive line of winch mounts for both Cycle Country and Warn winches

If you need to haul more gear on your quad, check out our baskets:

Front Basket

Rear Basket

Rear Drop Basket

All Purpose Basket

"New" Poly Rear Drop Basket

If you need to mow the trail before you go riding one of these will help:

Our 54" finish cut Quick Silver 54 can be mounted in front or towed behind your ATV

The 48" Rough Cut will handle your toughest mowing jobs

The Rough Cut 44 provides an economical way to handle all your mowing needs

If you are into deer hunting and want to make a food plot, you will love our 3 Point Hitch & Implements:

Rear Blade

Moldboard Plow

Furrower

Rake

Cultivator

Disk Harrow

If you have a landscaping or gardening project, check out our "Work Ready" Tow Behind Implements:

Universal Tow Frame

Cultivator

Rake

Rear Blade

Disc

Disk Harrow

And many more accessories to help you Work Hard and Play Hard:

For more information call us at 1-800-841-2222, or on the web at www.cyclecountry.com