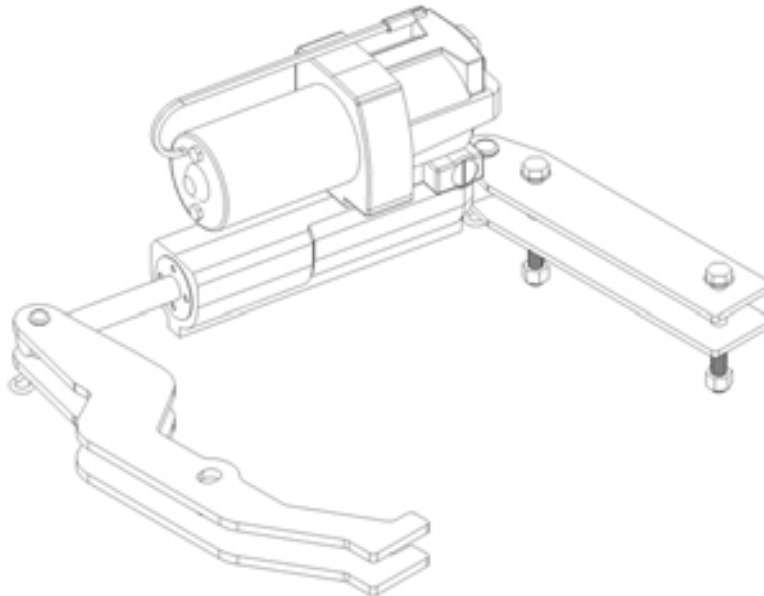


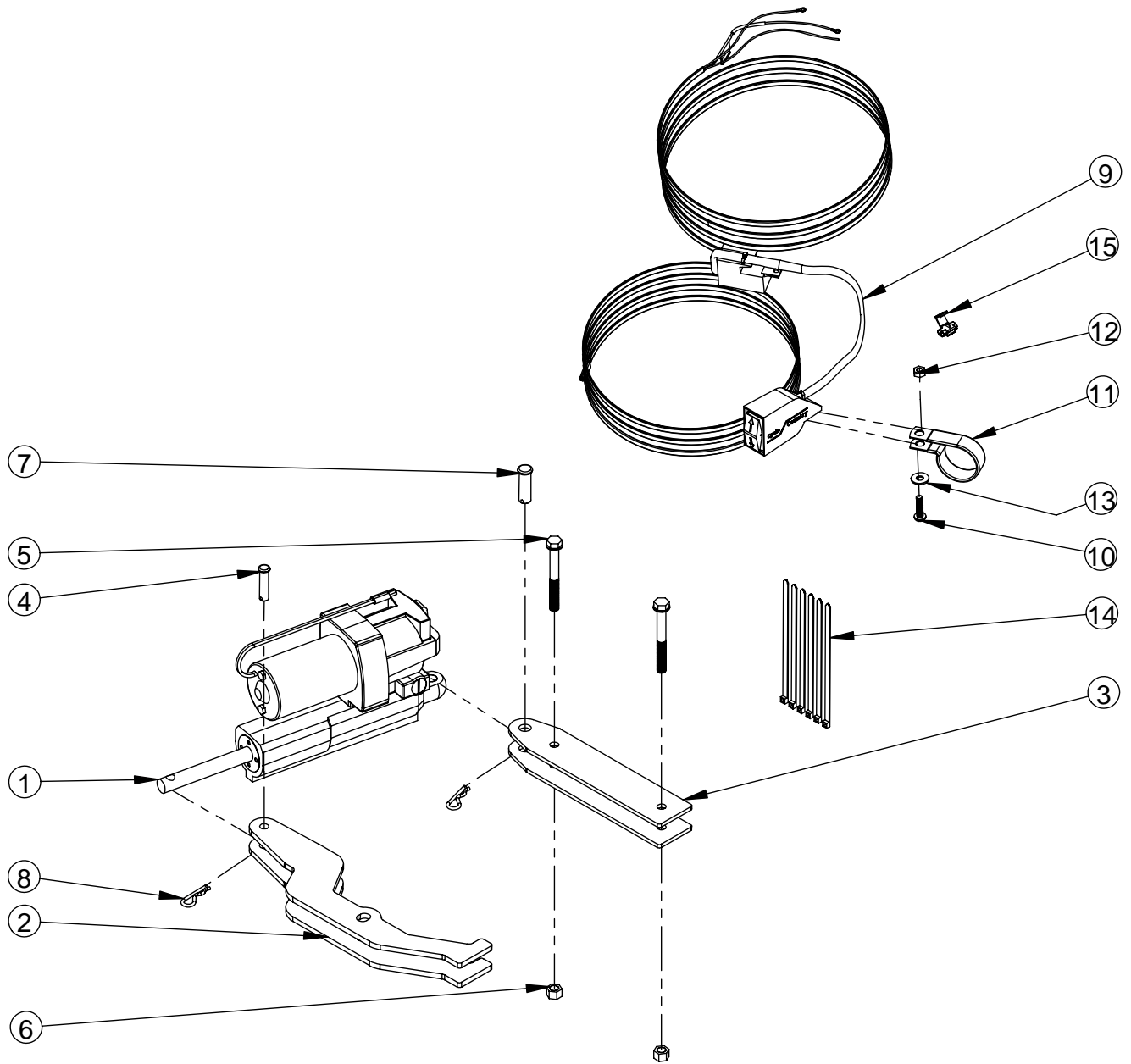


1701 38TH AVE W
PO BOX 257
SPENCER, IA 51301
PHONE: 712-262-4191
FAX: 712-262-0248
SERVICE: 800-841-2222
E-MAIL: ccac@cyclecountry.com
www.cyclecountry.com

**UTV
SNOW FORCE™
HYDRAULIC
BLADE ANGLE KIT
For Straight Plows
OWNER'S MANUAL
MODEL NUMBER: 18-0050**



**CUSTOMER MUST RECEIVE A COPY OF THIS
OWNERS MANUAL AT TIME OF SALE**



Model Number 18-0050 Parts List

ITEM NO.	QTY.	PART NO.	DESCRIPTION
1	1	PUR2335	Electro Hydraulic Actuator
2	2	UTV0326	Cylinder Bracket Front
3	2	UTV0327	Cylinder Bracket Rear
4	1	PUR2323	3/8" x 1-1/2" Clevis Pin
5	2	PUR1152	3/8" x 3-1/4" Bolt
6	2	PUR1272	Locknut 3/8" Nylock
7	1	PUR2324	1/2" x 1-1/2" Clevis Pin
8	2	PUR1249	#3 Hair Pin Yellow
9	1	UTV0340	Wiring Harness Assembly CCAC
10	1	PUR1352	Truss Head Machine Screw 1/4-20UNC x 1
11	1	PUR1911	P-Clamp 1.75 Vinyl Coated
12	1	PUR1265	Locknut 1/4" Nylock
13	1	PUR1237	Flatwasher 1/4"
14	6	PUR1945	6" Cable Tie
15	1	PUR1377	Scotch Lock

The Snow Force Hydraulic Blade Angle Kit for Straight Plows attaches to the Snow Force Pushtube Kit, 18-0030, and allows the UTV operator to change the angle of his plow without leaving the seat of his UTV. An electrically powered hydraulic cylinder attaches to the pushtube and provides the force needed to pivot the blade to the desired angle. This kit works only with straight plows. The Snow Force Hydraulic Blade Angle Kit for V Plow, model number 18-0060, is available for the Snow Force V Plow, model number 18-0040.

OPERATING INSTRUCTIONS READ BEFORE OPERATING

WARNING !

TO AVOID SERIOUS INJURY OR DEATH:

1. DO NOT EXCEED 5 MPH WITH BLADE OR MOUNTING BRACKET(S) INSTALLED.
2. DUE TO REDUCED GROUND CLEARANCE, REMOVE THE PLOW MOUNTING BRACKET(S) BEFORE TRAIL RIDING.
3. OPERATE WITH EXTREME CAUTION ON SLOPES, STEEP GRADES, AND ROUGH TERRAIN.
4. KEEP AWAY FROM BLADE AND MOVING PARTS DURING OPERATION.
5. WHEN PLOWING SNOW OR DIRT INTO A PILE, START BACKING UP BEFORE RAISING THE BLADE.
6. DO NOT RAM THE BLADE INTO THE PILE.
7. BE AWARE OF POSSIBLE HIDDEN OBJECTS UNDER SNOW.

CAUTION

TO AVOID PERSONAL INJURY:

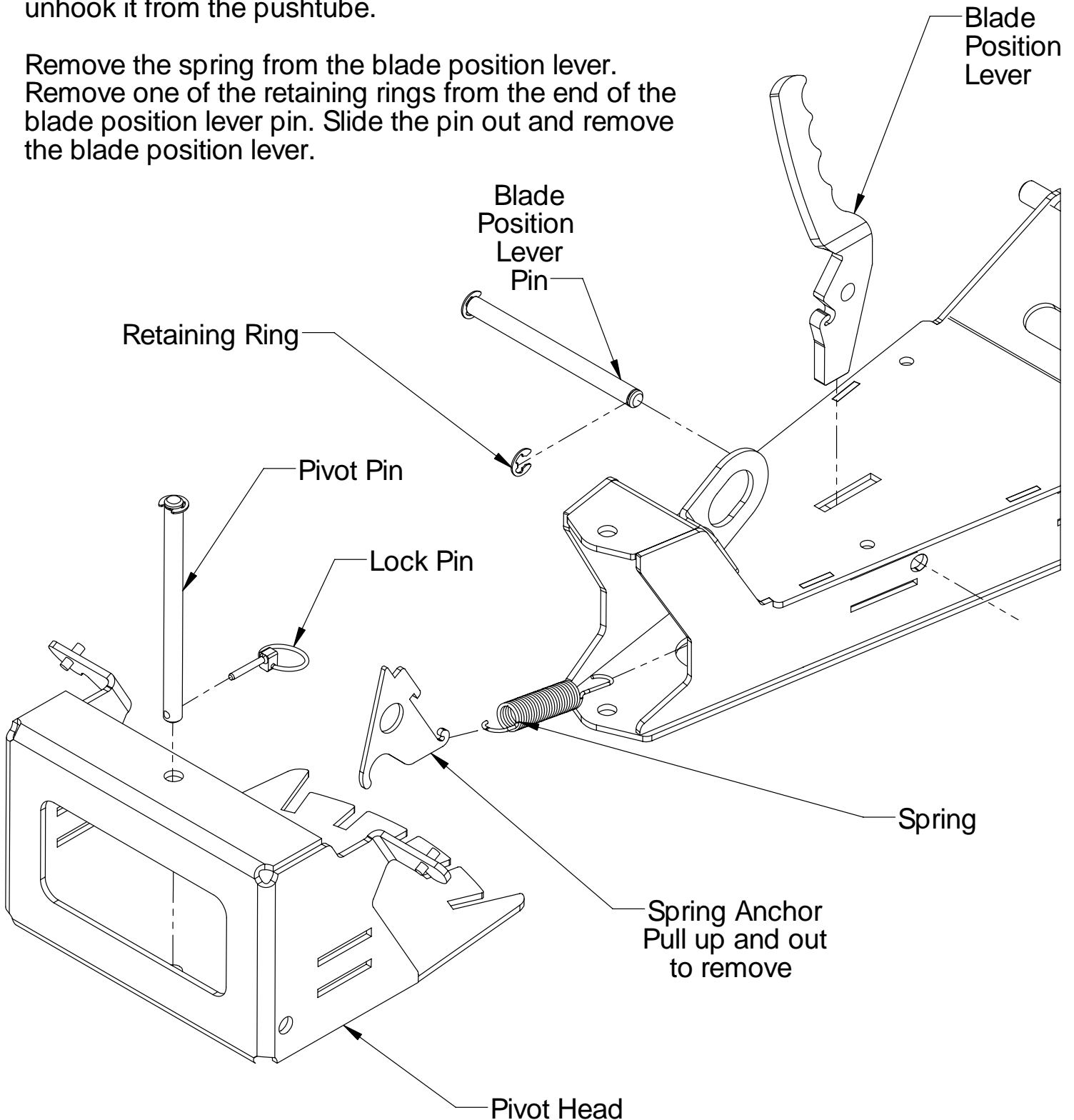
1. READ BLADE OWNER'S MANUAL, UTV OPERATOR'S MANUAL, AND SAFETY DECALS BEFORE OPERATING.
2. WEAR HEAD PROTECTION, SAFETY GLASSES, AND SHOES AS RECOMMENDED IN UTV OPERATOR'S MANUAL.
3. DO NOT ALLOW RIDERS ON BLADE OR UTV WHILE MOVING OR STATIONARY.
4. KEEP BYSTANDERS AWAY FROM BLADE OR UTV WHILE MOVING OR STATIONARY.
5. BEFORE ADJUSTING BLADE ANGLE, STOP UTV ENGINE, SET AND LOCK BRAKES, RAISE BLADE IN UP POSITION.
6. WHEN BLADE IS NOT IN USE, STOP UTV ENGINE, SET AND LOCK BRAKES, AND LOWER BLADE TO DOWN POSITION.
7. ONLY MATURE ADULTS OVER THE AGE OF 16 SHOULD OPERATE THE MACHINERY.
8. DO NOT USE THIS EQUIPMENT AT NIGHT OR WHEN VISIBILITY IS POOR UNLESS YOUR UTV HAS ADEQUATE LIGHTING.

Assembly

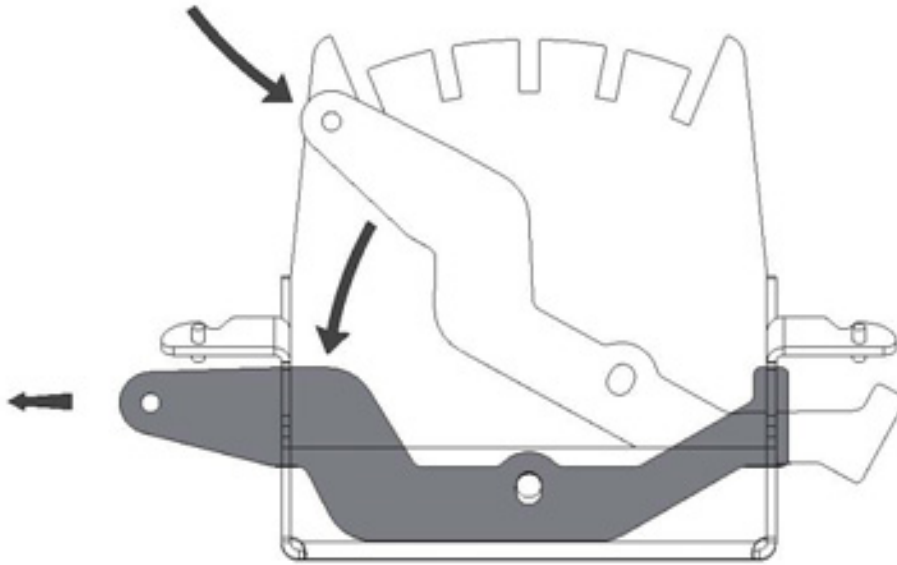
Remove the pivot head by first removing the locking pin from the bottom of the pivot head pin and pulling the pivot head pin out of the top of the pivot head.

Remove the spring anchor by pulling up on it to unhook it from the pushtube.

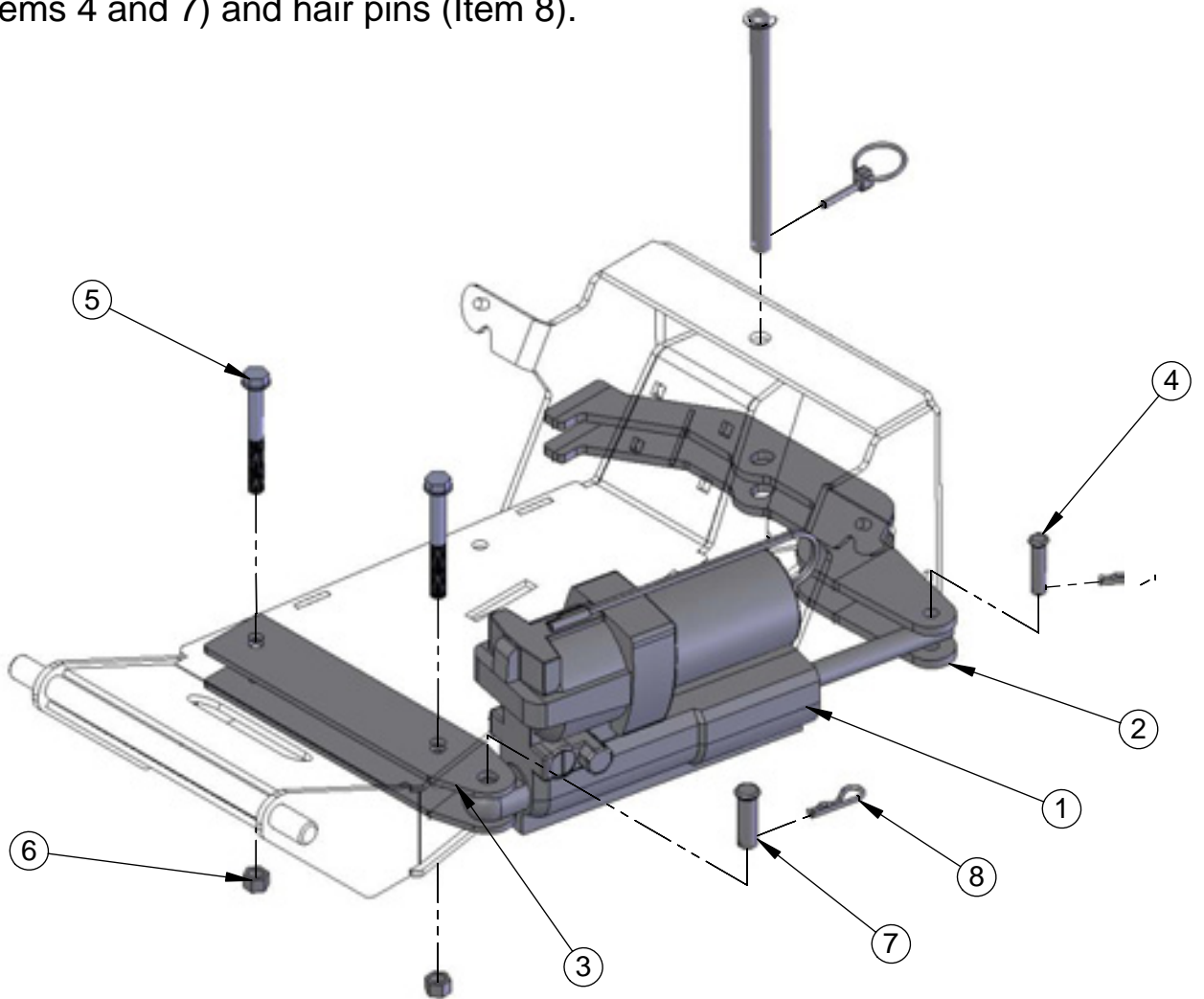
Remove the spring from the blade position lever. Remove one of the retaining rings from the end of the blade position lever pin. Slide the pin out and remove the blade position lever.



Insert the two front cylinder mounting brackets (Item 2) into the slots on the pivot head as shown below.



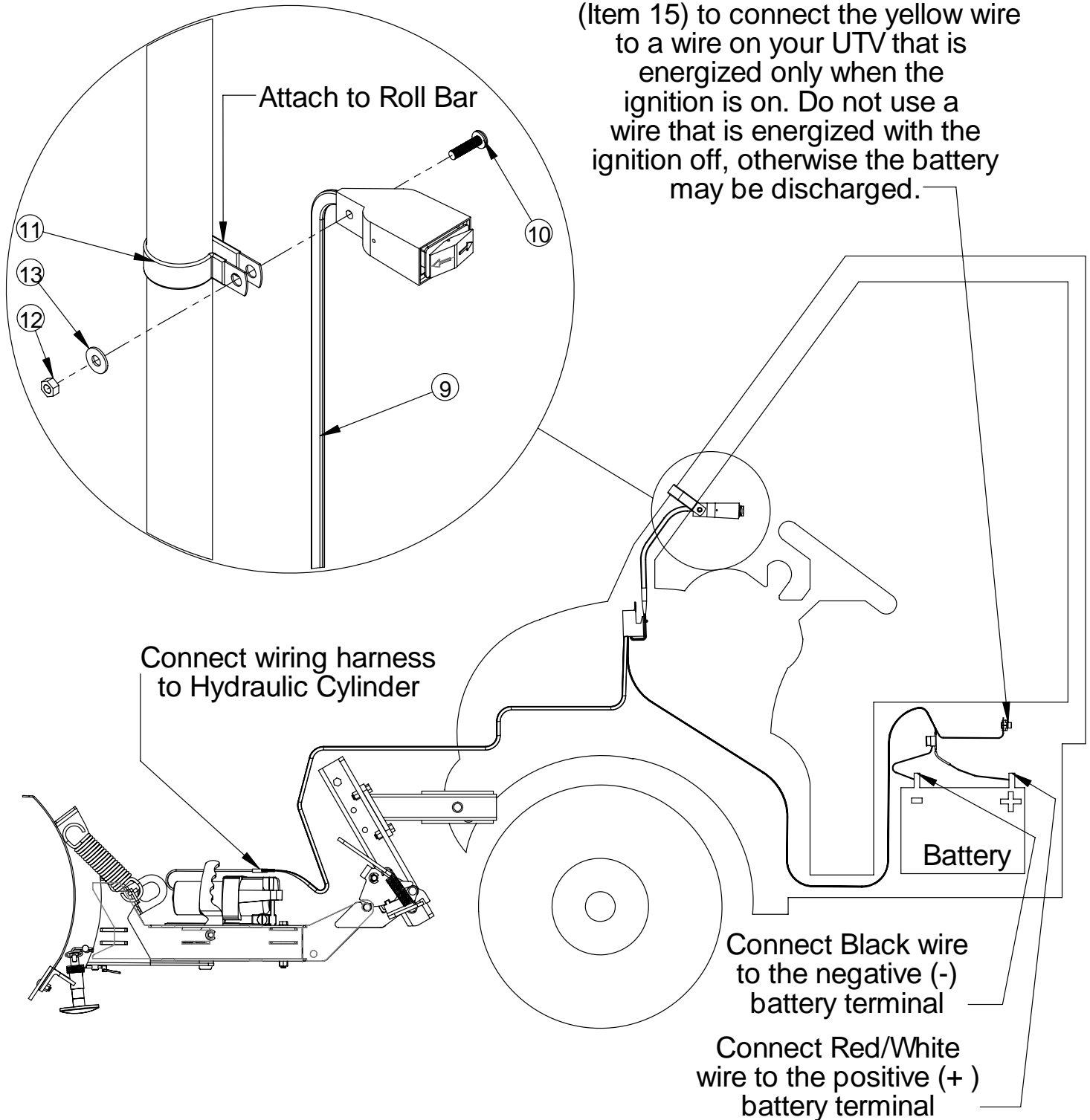
Reinstall the pivot head with the pivot head pin passing through the holes in the front cylinder mounting brackets (Item 2). Bolt on the two rear cylinder mounting brackets (Item 3). Attach the hydraulic cylinder (Item 1) using the clevis pins (Items 4 and 7) and hair pins (Item 8).



Installation

Use the supplied cable ties to attach the wiring harness to the UTV as shown below. Do not allow harness to come in contact with any moving parts or hot surfaces.

Use the Scotch Lock Connector (Item 15) to connect the yellow wire to a wire on your UTV that is energized only when the ignition is on. Do not use a wire that is energized with the ignition off, otherwise the battery may be discharged.



Operation:

To operate the hydraulic blade angle, turn your UTV's ignition switch on and press the rocker switch in either direction to rotate your plow to the desired angle. If desired, the direction of the plow rotation can be reversed relative to the arrows on the switch by either flipping the switch and mounting clamp over where they mount onto the rollbar, or by prying the switch out of its housing, turning it around and reinstalling it back into the housing.



1701 38TH AVE W
PO BOX 257
SPENCER, IA 51301
PHONE: 712-262-4191
FAX: 712-262-0248
SERVICE: 800-841-2222
E-MAIL: ccac@cyclecountry.com
www.cyclecountry.com

ONE YEAR LIMITED WARRANTY

For the period of one year from the purchase date Cycle Country Accessories Corporation will replace for the original purchaser, free of charge, any part or parts, when found, upon examination by Cycle Country Accessories Corporation, to be defective in material, workmanship, or both.

All transportation cost incurred by the purchaser in submitting the material to Cycle Country Accessories Corporation for replacement under this warranty must be borne by the purchaser. If Cycle Country Accessories Corporation determines that the product must be returned to the factory for credit please call 1-800-841-2222 for an RMA number and shipping instructions.

The warranty does not apply to parts that have been damaged by accident, alteration, abuse, improper lubrication, normal wear, or other causes beyond Cycle Country Accessories Corporation's control. Products such as engines, electric motors, and actuators may carry an original manufacturer's warranty. Please call Cycle Country Accessories Corporation for information.



Cycle Country Accessories Corporation has been a world-renowned manufacturer of quality ATV products since 1981 and we hope you will enjoy your new Cycle Country accessory.

Check out our other accessories

We're the Industry Snow Blade leader:

48", 54", 60" & 72" Bear Force Straight Blades

52" & 60" State Plows

48", 60" & 72" 'V' Force Plow System

If a winch is what you must have, then you've come to the right place:

1500lb and 2500lb Winches

We also have an extensive line of winch mounts for both Cycle Country and Warn winches

If you need to haul more gear on your quad, check out our baskets:

Front Basket

Rear Basket

Rear Drop Basket

If you need to mow the trail before you go riding one of these will help:

Our 54" finish cut Quick Silver54 can be mounted in front or towed behind your ATV

The 48" Rough Cut will handle your toughest mowing jobs

The Rough Cut 44 provides an economical way to handle all your mowing needs

If you are into deer hunting and want to make a food plot, you will love our 3 Point Hitch & Implements:

Rear Blade

Moldboard Plow

Spreader

Furrower

Rake

Cultivator

Disk Harrow

And many more accessories to help you Work Hard and Play Hard:

For more information call us at 1-800-841-2222, or on the web at www.cyclecountry.com