

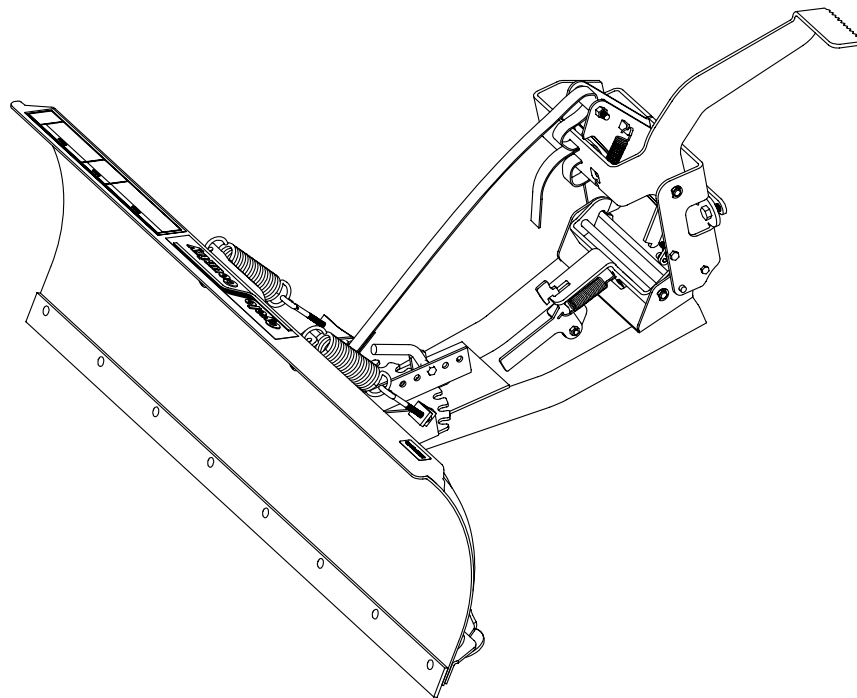


1701 38TH AVE W  
PO BOX 257  
SPENCER, IA 51301  
PHONE: 712-262-4191  
FAX: 712-262-0248  
SERVICE: 800-841-2222  
E-MAIL: [ccac@cyclecountry.com](mailto:ccac@cyclecountry.com)  
[www.cyclecountry.com](http://www.cyclecountry.com)

**52" POLY PLOW**  
**For**  
**Hustler Sport, Hustler FasTrak and Hustler**  
**FasTrak Super Duty Lawnmowers**

**MODEL NUMBER KAY0001**

***Owner's Manual***



**CUSTOMER MUST RECEIVE A COPY OF THIS  
OWNERS MANUAL AT TIME OF SALE**



1701 38TH AVE W  
PO BOX 257  
SPENCER, IA 51301  
PHONE: 712-262-4191  
FAX: 712-262-0248  
SERVICE: 800-841-2222  
E-MAIL: [ccac@cyclecountry.com](mailto:ccac@cyclecountry.com)  
[www.cyclecountry.com](http://www.cyclecountry.com)

## **ONE YEAR LIMITED WARRANTY**

For the period of one year from the purchase date Cycle Country Accessories Corporation will replace for the original purchaser, free of charge, any part or parts, when found, upon examination by Cycle Country Accessories Corporation, to be defective in material, workmanship, or both.

All transportation cost incurred by the purchaser in submitting the material to Cycle Country Accessories Corporation for replacement under this warranty must be borne by the purchaser. If Cycle Country Accessories Corporation determines that the product must be returned to the factory for credit please call 1-800-841-2222 for an RMA number and shipping instructions.

The warranty does not apply to parts that have been damaged by accident, alteration, abuse, improper lubrication, normal wear, or other causes beyond Cycle Country Accessories Corporation's control. Products such as engines, electric motors, and actuators may carry an original manufacturer's warranty. Please call Cycle Country Accessories Corporation for information.

## ***52” Poly Plow for Hustler Lawnmowers***

The Cycle Country 52” Plow for Hustler FasTrak Mowers easily attaches to the front of your Hustler FasTrak Mower and can be used to plow snow or loose material. A quick attach feature allows the plow to be easily removed when not needed. A foot actuated lift is provided to raise and lower the plow for transporting. The plow can be angled in either direction to allow the operator to push snow to one side..

This system includes:

- **52” Wide Poly Plow**
- **Quick Attach Push Tube and Blade Hinge**
- **Mounting System and Lift**

### **OPERATING INSTRUCTIONS-READ BEFORE OPERATING**

#### **WARNING!**

##### **TO AVOID SERIOUS INJURY OR DEATH:**

- Do not exceed 5 MPH with plow installed.
- Operators should be 16 years of age or older.
- Operate with extreme caution on slopes, steep grades and rough terrain.
- Keep all bystanders a minimum of 5 Feet away from the lawnmower and plow when it is in operation.
- Do not ram the plow into piles of snow or dirt.
- Be aware of possible hidden objects under snow.
- Do not allow riders on plow or lawnmower.
- Before adjusting plow angle, stop the lawnmower engine, set and lock brakes and raise the plow, using the foot pedal. Do not lift the plow by hand.

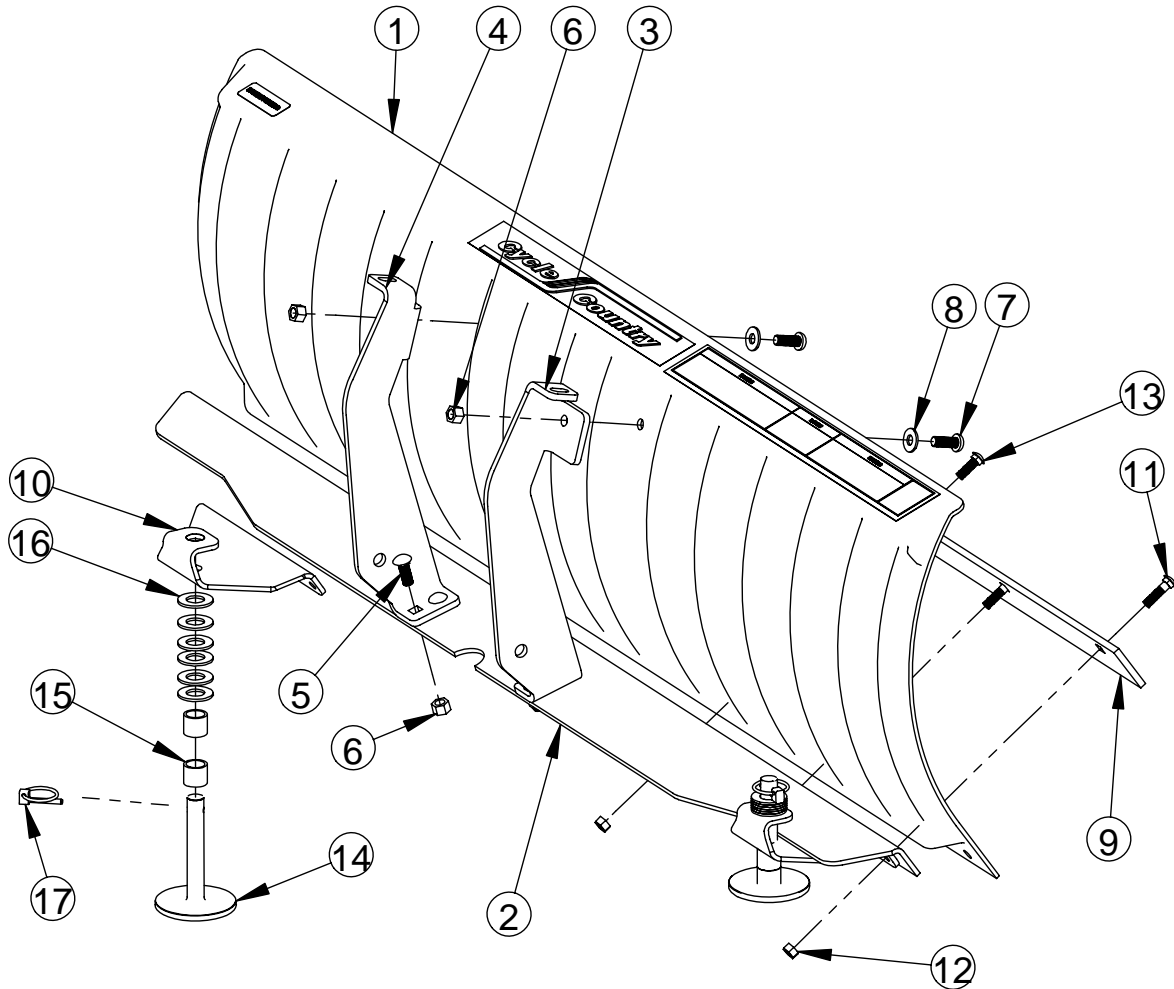
#### **OPERATION & MAINTENANCE**

- The plow angle is adjustable. To adjust the plow angle, first raise the plow, then push the blade position lever down and turn the plow to the desired position. The blade position lever will spring back into the locked position when the plow is at the correct angle.
- The plow skids can be adjusted to set the plow clearance with the ground.
- The plow is designed to trip when it strikes an object or digs in too far. When pressure is released, the plow springs back into position. Plow spring tension can be increased by tightening the locknuts on the bottom of the eyebolts. For less spring tension, loosen the locknuts.
- When plowing snow or dirt into a pile, back up before raising the plow.
- Periodically check for wear and tightness of all bolts, nuts and fasteners. Replace or tighten as necessary.

# ASSEMBLY INSTRUCTIONS

## STEP 1

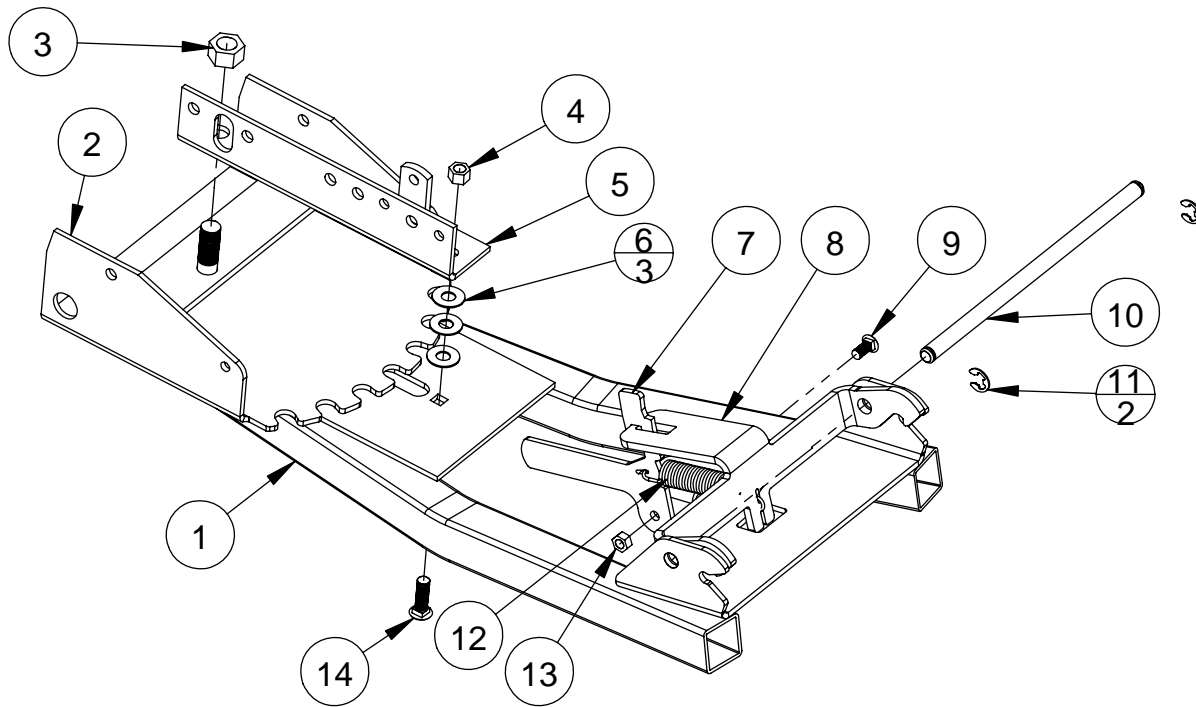
Assemble the angle, ribs, wear bar and skids to the plow as shown below. The spacers and washers (Items 15 & 16) can be assembled in any order to set the desired clearance between the plow and the ground.



## Blade Assembly Parts List

ITEM NO.	QTY.	PART NO.	DESCRIPTION	ITEM NO.	QTY.	PART NO.	DESCRIPTION
1	1	CYC1006	Blade Assembly 52" Poly Plow Black	10	2	CYC1011	Skid Bracket
2	1	CYC1007	Angle	11	4	PUR1191	Carriage Bolt 5/16" x 1-1/4"
3	1	CYC1008	Rib RH	12	8	PUR1275	Locknut 5/16" Nylock
4	1	CYC1009	Rib LH	13	4	PUR1189	Carriage Bolt 5/16" x 1"
5	4	PUR1185	Carriage Bolt 3/8" x 1"	14	2	PUR1467	Skid
6	6	PUR1272	Locknut 3/8" Nylock	15	4	PUR0400	Spacer
7	2	PUR2263	3/8" x 1" Button Head Screw	16	12	PUR1246	Flatwasher 5/8 SAE
8	2	PUR2010	Flatwasher 5/16" Black	17	2	PUR1359	Quick Pin .1875 x 1.5
9	1	CYC3235	52" Wear Bar				

The push tube assembly comes pre-assembled and is shown below for reference only.

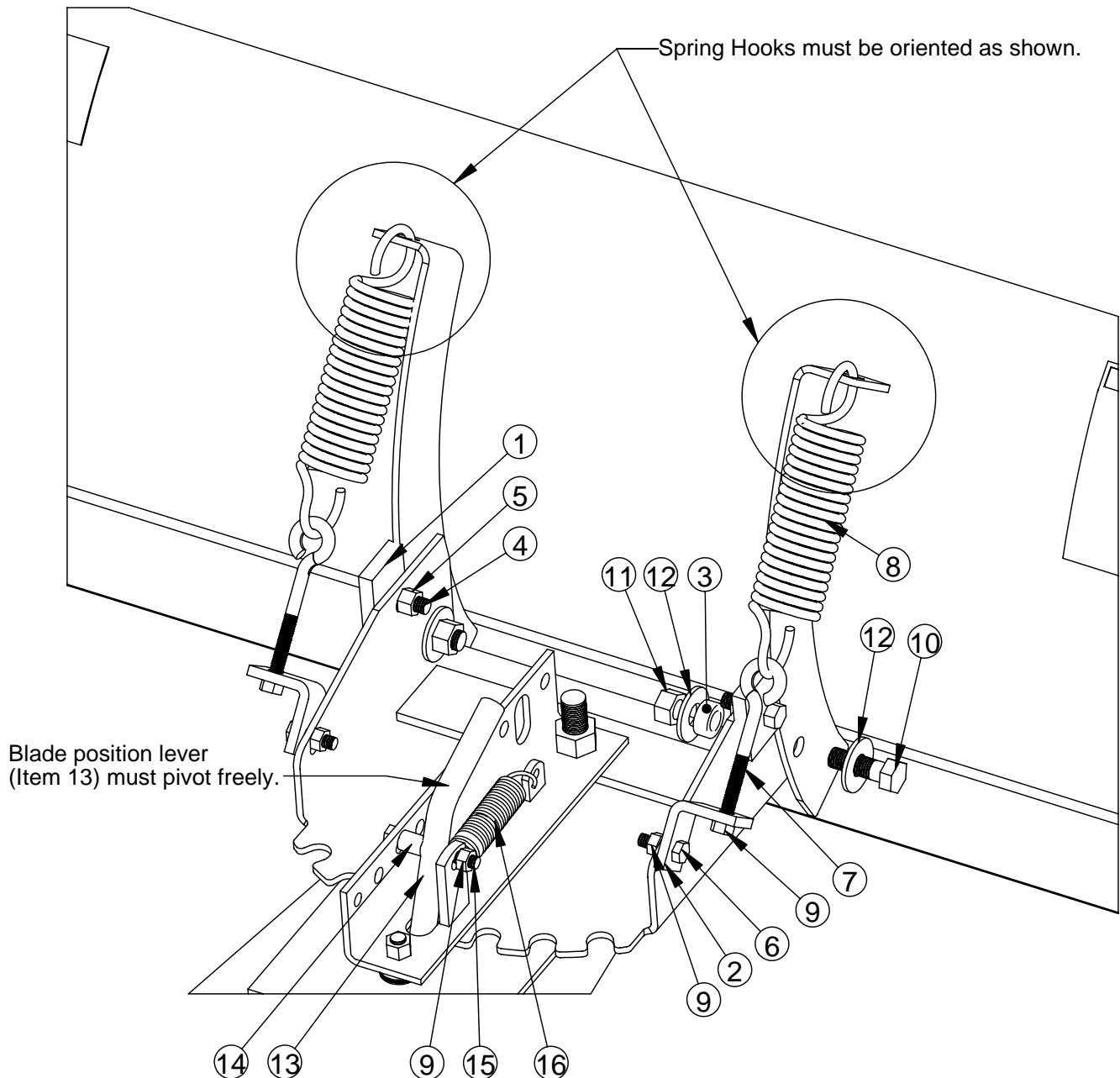


## Push Tube Assembly Parts List (Comes Pre-assembled)

ITEM NO.	QTY.	PART NO.	DESCRIPTION	ITEM NO.	QTY.	PART NO.	DESCRIPTION
1	1	CYC2003	Pushtube Weldment	8	1	CYC2009	Latch
2	1	CYC2006	Blade Hinge Weldment	9	1	PUR1202	Carriage Bolt 5/16" x 3/4"
3	1	PUR1283	Locknut 5/8" Nylock	10	1	CYC2010	Latch Pin
4	1	PUR1272	Locknut 3/8" Nylock	11	2	PUR2270	Retaining Ring E-Style .5
5	1	CYC0345	Lever Bracket Assembly	12	1	PUR1437	Spring
6	3	PUR0250	Flatwasher 3/8"	13	1	PUR1275	Locknut 5/16" Nylock
7	1	CYC2008	Catch	14	1	PUR1187	Carriage Bolt 3/8" x 1-1/4"

## STEP 2

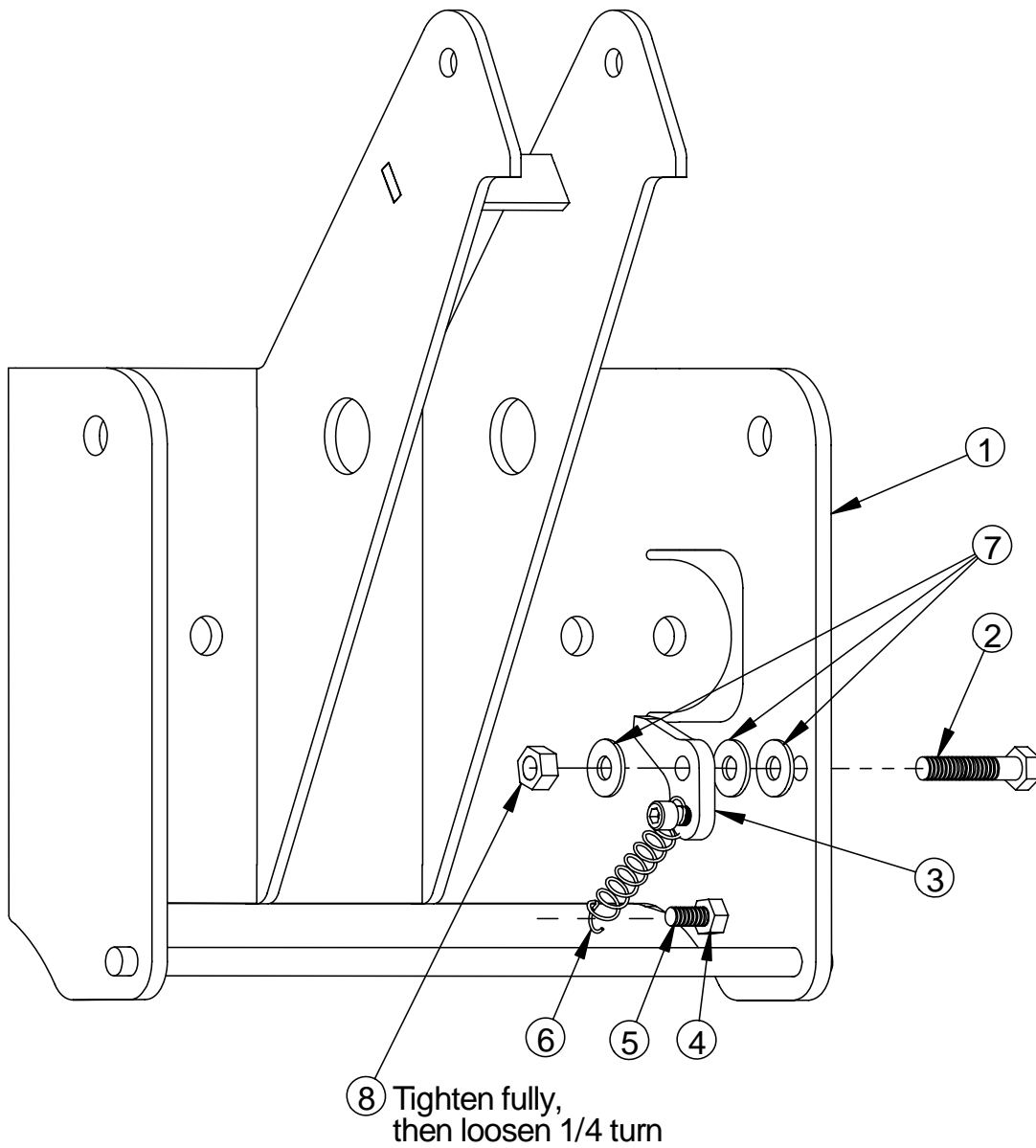
Join the plow to the push tube assembly as shown below. The blade stops (Item 1) should be positioned so that the plow is orientated vertically.



ITEM NO.	QTY.	PART NO.	DESCRIPTION	ITEM NO.	QTY.	PART NO.	DESCRIPTION
1	2	CYC0813	Blade Stop	9	5	PUR1275	Locknut 5/16" Nylock
2	2	CYC0812	Blade Spring Bracket	10	2	PUR1110	Bolt 1/2" x 1-1/2"
3	2	PUR1411	Steel Bushing 7/8"	11	2	PUR1260	Locknut 1/2" Centerlock
4	2	PUR1142	Bolt 3/8" x 1-1/4"	12	4	PUR1235	Flatwasher 1/2"
5	2	PUR1272	Locknut 3/8" Nylock	13	1	CYC2259	Blade Position Lever
6	2	PUR1155	5/16" x 1" Bolt	14	1	PUR1361	Bushing
7	2	PUR1216	Eye Bolt 5/16" x 4-1/4"	15	1	PUR1162	Bolt 5/16" x 2-1/4"
8	2	PUR1409	Blade Spring	16	1	PUR1437	Spring

### STEP 3

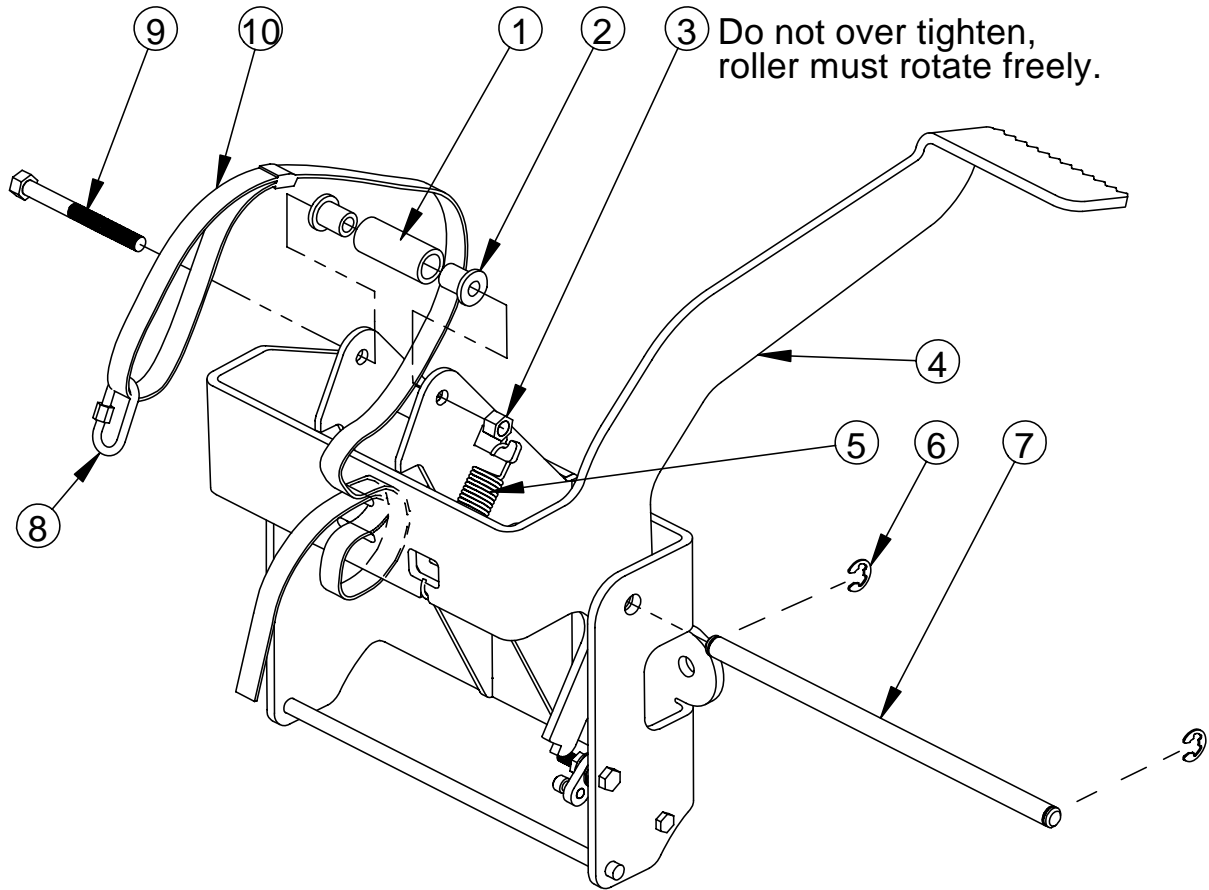
Assemble the plow mount as shown below.



ITEM NO.	QTY.	PART NO.	DESCRIPTION
1	1	KAY0100	Mounting Channel Weldment
2	1	PUR1156	5/16" x 1-1/2" Bolt
3	1	KAY0106	Pawl Weldment
4	1	PUR1265	Locknut 1/4" Nylock
5	1	PUR1118	Bolt 1/4" x 1"
6	1	PUR1410	Spring
7	3	PUR1237	Flatwasher 1/4"
8	1	PUR1275	Locknut 5/16" Nylock

## STEP 4

Assemble the pedal to the plow mount as shown below.



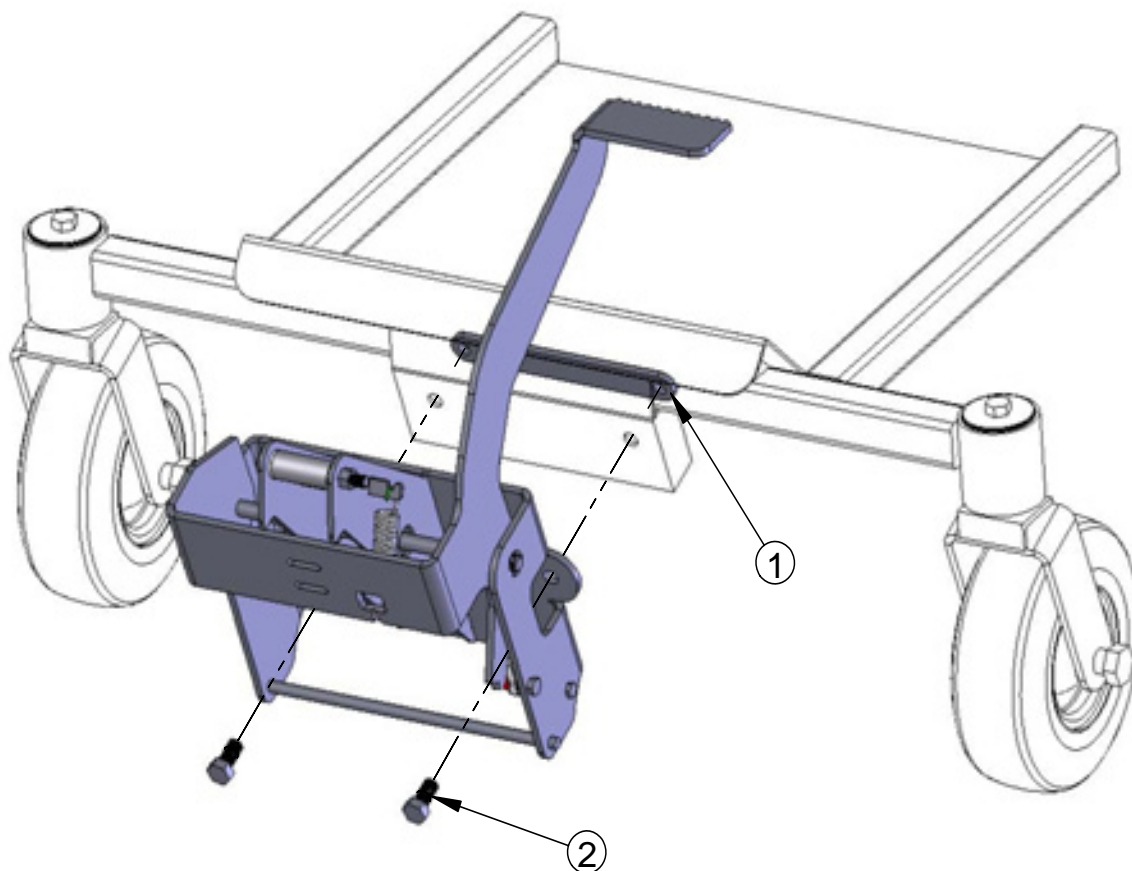
ITEM NO.	QTY.	PART NO.	DESCRIPTION
1	1	CYC0942	Short Roller
2	2	CYC5396	Roller Bushing
3	1	PUR1272	Locknut 3/8" Nylock
4	1	KAY0105	Pedal
5	1	PUR1437	Spring
6	2	PUR2270	Retaining Ring E-Style .5
7	1	KAY0109	Pedal Pin
8	1	PUR1497	3/16" Quick Link
9	1	PUR1153	3/8" x 3-3/4" Bolt
10	1	PUR1492	Adjustable Strap



# INSTALLATION INSTRUCTIONS

## STEP 1

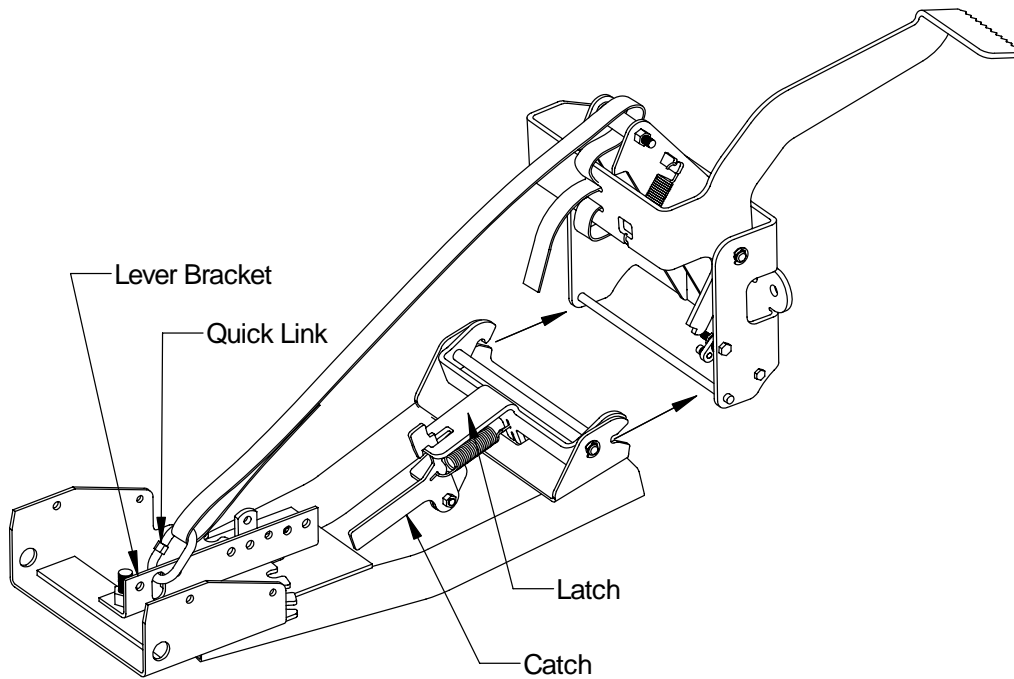
Attach the mounting bracket to the front of the Hustler FasTrak mower using the 1/2" bolts and nut plate as shown below. Select the pair of mounting holes in the mounting bracket that prevent interference of the swivel casters with the mounting bracket.



ITEM NO.	QTY.	PART NO.	DESCRIPTION
1	1	KAY0108	Nut Plate
2	2	PUR1109	1/2" X 1" Bolt

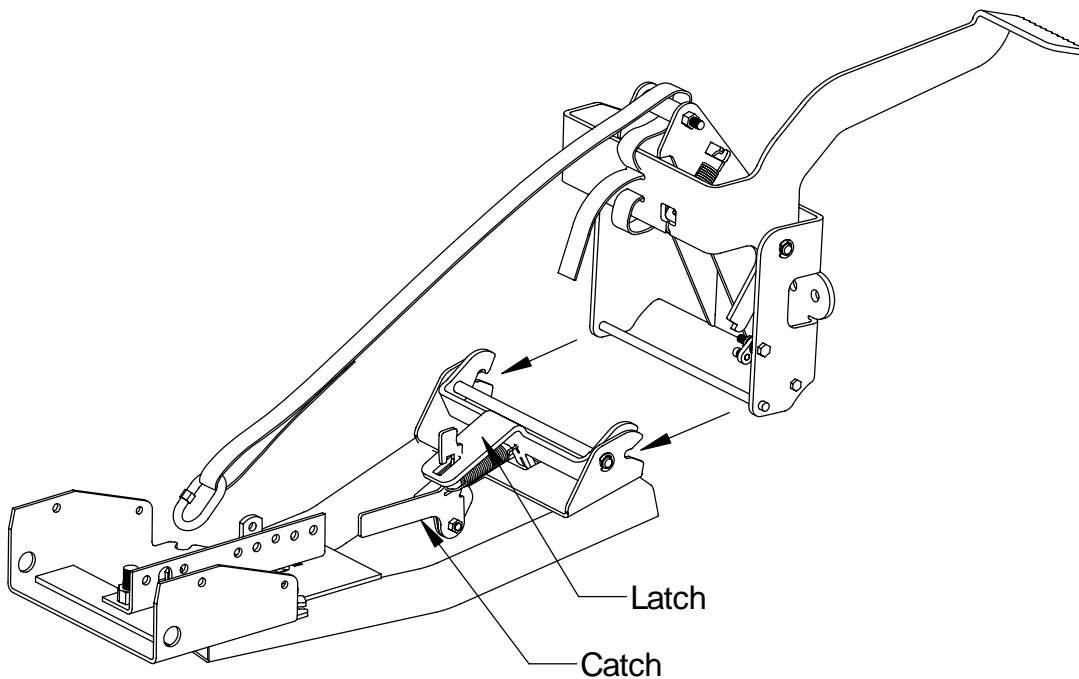
## STEP 2

To attach the push tube assembly to the mounting bracket, position the catch against the latch as shown below, then push the push tube assembly onto the mounting bracket until it latches on. Connect the quick link to lever bracket and adjust the strap to take out all of the slack.



## STEP 3

To remove the push tube assembly, first remove the quick link from the lever bracket, then use the catch to hold the latch open as shown below. The push tube can be pulled away from the mounting bracket.



## OPERATION:

To raise the plow, push the pedal as shown below until you hear it latch. To lower the plow, push the pedal all the way forward and then let it come back to the lowered position.

