

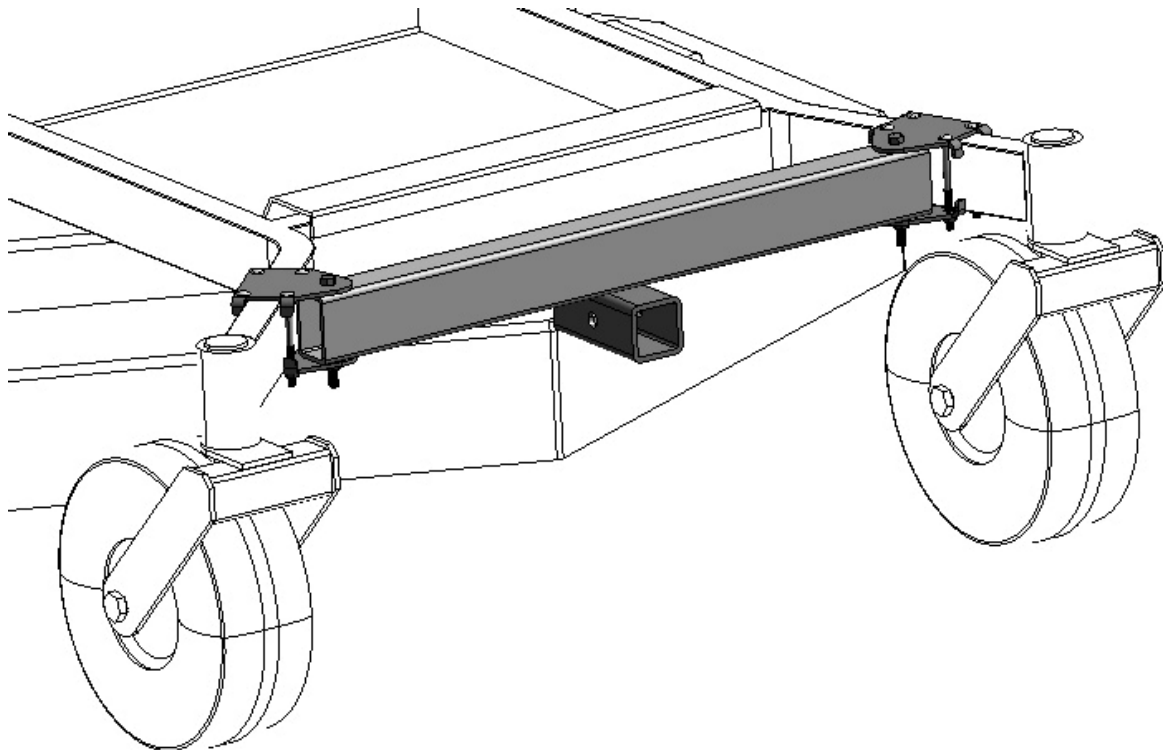


HUSTLER Mount Kit

(Fits Models: Z, Super-Z, Diesel)

ASSEMBLY / OWNER'S MANUAL

Part No: KAY-0002



OPERATING INSTRUCTIONS

Congratulations! You've just purchased the most durable plow component in the industry. Our plow systems work great for summer or winter plowing. With proper care and maintenance, your Cycle Country plow system will last for years to come!

Please read and understand all assembly instructions, notices and warnings before assembling and operating your Cycle Country plow system.

Follow these guidelines to ensure satisfactory operation:

- Read this manual and your operators manual before use.
- Before first use, set plow in the furthest right or left angled position to check for clearance between the plow and front tires.
- Operate with extreme caution on slopes and rough terrain. Be familiar with the area before you plow.
- Be aware of immovable objects that could be hidden in the dirt, gravel or snow you are plowing.
- To avoid damage when plowing dirt, gravel or snow into a pile, reverse direction before raising the plow blade.
- Do not ram the plow blade into piles of dirt, gravel or snow.
- Periodically check for wear and tightness of all fasteners. Replace or re-torque fasteners as necessary.

A complete operator's guide can be downloaded for free at www.cyclecountry.com. This guide contains beginner-to-advanced information regarding plow systems and operation.

SAFETY INFORMATION

Cycle Country plow systems were designed with your safety in mind. In order to protect you and your vehicle, certain parts of the plow system and/or hardware are designed to fail when the equipment is over-stressed.

WARNING

To avoid personal injury or damage to your vehicle:

Do not exceed 5 mph (8 kph) with the blade installed

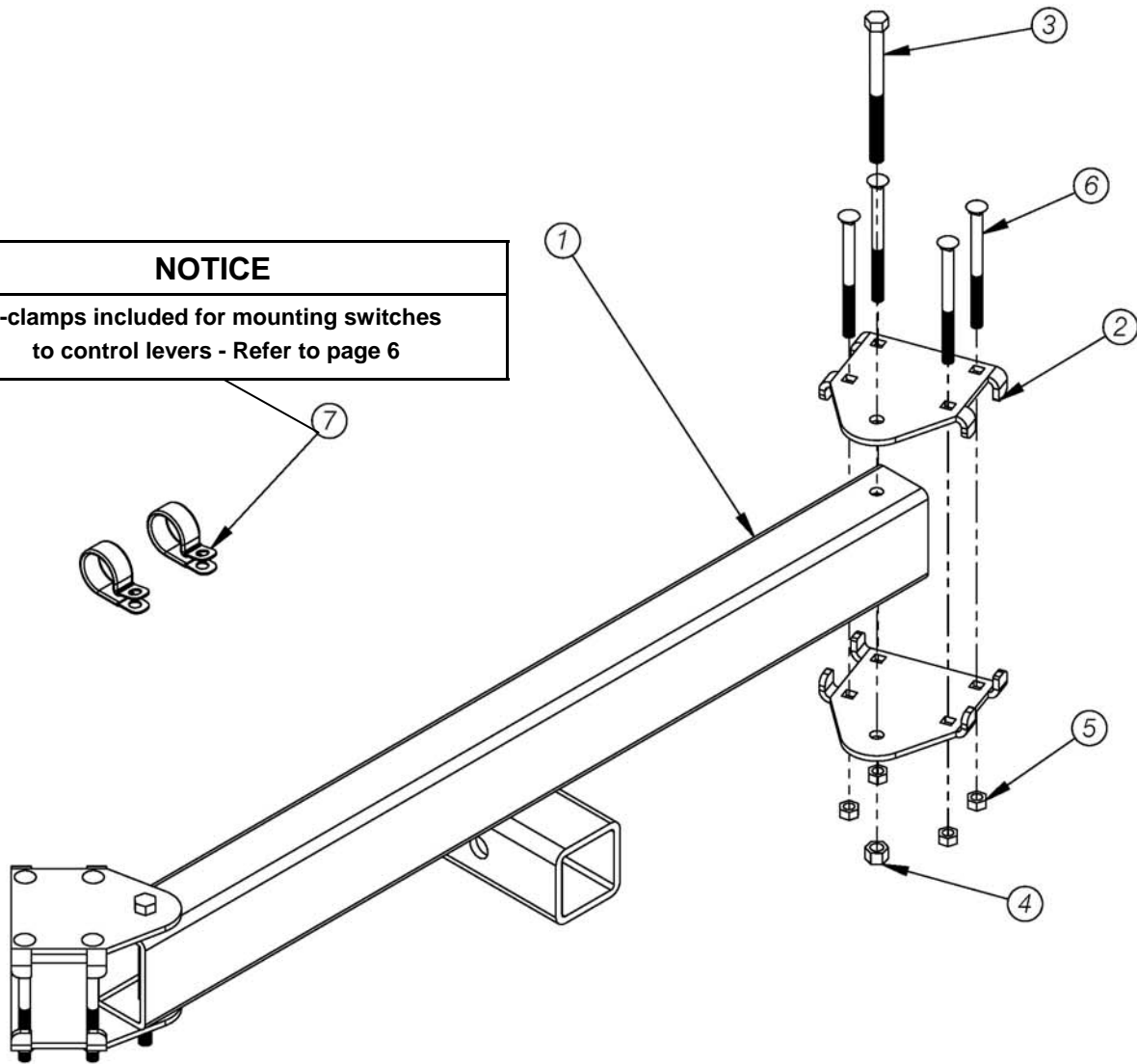
Be aware that vehicle ground clearance
is reduced with plow system installed

Keep yourself, other people and pets away from the
blade and moving parts during operation

Before adjusting blade angle or disconnecting the plow
system, stop the engine and set the parking brake

Remove your plow system when not in use

NOTICE
P-clamps included for mounting switches
to control levers - Refer to page 6



*Model Number KAY0002
Parts List*

ITEM NO.	QTY.	PART NO.	DESCRIPTION
1	1	CYC4169	Receiver Weldment
2	4	CYC4171	Bracket
3	2	PUR1154	3/8" x 4-1/2" Bolt
4	2	PUR1272	Locknut 3/8" Nylock
5	8	PUR1275	Locknut 5/16" Nylock Clear Zinc
6	8	PUR2222	Carriage Bolt 5/16" x 4"
7	2	PUR2145	1 1/4" P-Clamp

PARTS ORDERING INFORMATION:

Replacement fasteners are common-type and can be purchased locally. Use minimum Grade 3 galvanized fasteners.

Standard bolt kit is supplied.

BEFORE YOU BEGIN:

- Please read and understand all instructions.
- Verify all parts and tools are accounted for.
- To ensure a satisfactory installation, follow all steps correctly and in the sequence described.

TOOLS REQUIRED:

- Basic Hand Wrench and Socket Set
- Cutting Tool
- Phillips Head Screwdriver
- Pliers
- Torque Wrench

NOTICE

Hustler Receiver Mount KAY-0002 is part of a 4-part kit, which includes:

18-0030 Snow Force Push Tube

18-0050 Snow Force Power Angle

18-0070 Snow Force Power Lift

Customer must purchase 1 of 3 blade size kits:

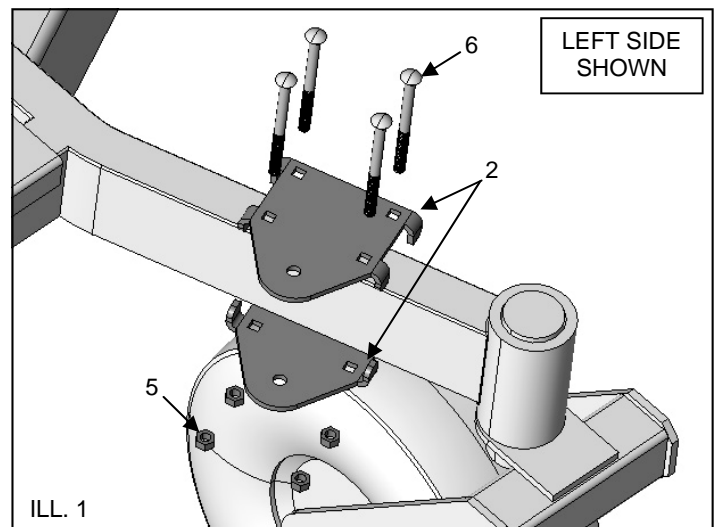
10-0440 60" Poly Snow Blade

10-0450 66" Poly Snow Blade

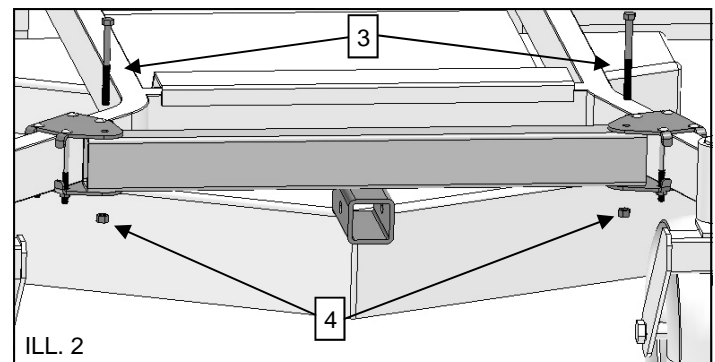
10-0460 72" Poly Snow Blade

ASSEMBLY INSTRUCTIONS:

1. Install brackets, item #2, carriage bolts, item #6 and fasteners #5 to the left and right front frame tube of the mower as shown in Illustration 1. *Do not fully tighten hardware at this time.*



2. Install the receiver weldment, item #1 into the brackets and secure using the 3/8" Hex Head Bolts, item #3 and fasteners #4. *Reposition the receiver weldment and bracket assembly if necessary, so the cross tube is parallel to the front of the mower foot deck.*
3. Tighten all fasteners to the torque specification.



FASTENER TORQUE:

Item #6, #5 - 17ft. lbs. (23 Nm)

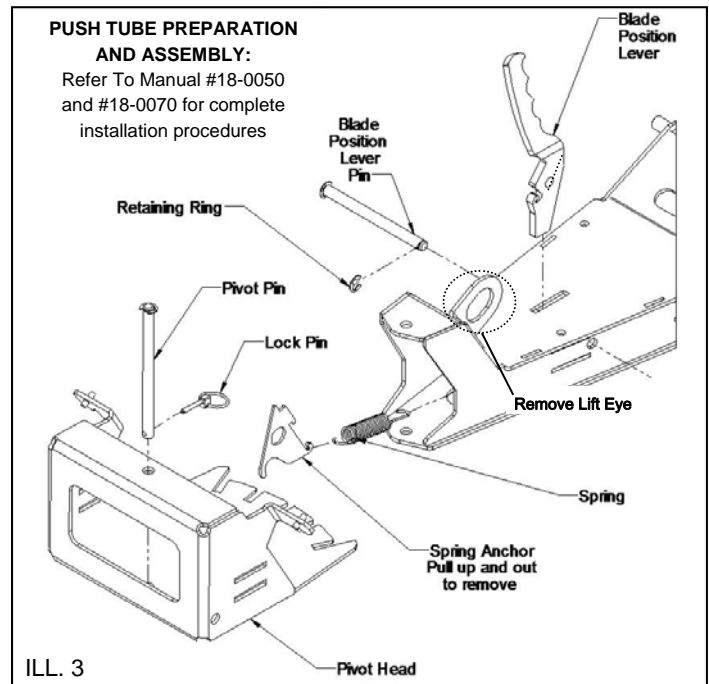
Item #3, #4 - 30ft. lbs. (41 Nm)

4. Prepare Push Tube #18-0030:

4a - Disassemble and remove the pivot head and pivot latch mechanism (see Illustration 3) as instructed in the Hydraulic Blade Angle Kit #18-0050 manual. Refer to the installation manual included in kit #18-0050.

4b - Install Hydraulic Blade Angle Kit #18-0050 to Push Tube #18-0030. Refer to the installation manual included in kit #18-0050.

4c - Remove the lift eye (see Illustration 3) and install Hydraulic Lift Kit #18-0070 to Push Tube #18-0030. Refer to the install manual included in kit #18-0070 .



5. Assemble and attach Poly Snow Blade Kit #10-0440, #10-0450 or #10-0460 to assembled Push Tube Assembly #18-0030. Refer to the assembly manual included in the kit.

NOTICE
Reference page 5 of the #18-0030 Push Tube Kit Installation Manual for blade attachment and tension spring installation instructions.

NOTE: Initial setting of skid height depends on the terrain. Set the skids even with the wear bar cutting edge for level surfaces such as concrete or asphalt. For irregular surfaces, lower the skids to raise the wear bar cutting edge.

6. Once installation of KAY-0002, 18-0030, 18-0050 and 18-0070 is complete, proceed to page 6 for control switch installation and wire routing instructions.

HUSTLER SWITCH AND HARNESS INSTALLATION:

NOTICE

Follow the control switch installation and wiring routing instructions in this manual

1. Install the switches and harnesses for the electro-hydraulic control units:

1a - (Suggested control installation - control may be mounted to either side) Mount p-clamp, item #7 and blade angle switch assembly, item #9 from kit #18-0050 to the RIGHT mower control lever. Fasten with #18-0050 fasteners #10 and #12. Refer to Illustration 4.

1b - (Suggested control installation - control may be mounted to either side) Mount p-clamp, item #7 and blade lift switch assembly, item #13 from kit #18-0070 to the LEFT mower control lever. Secure with #18-0070 fasteners #15 and #16. Refer to Illustration 4.

NOTICE

If desired, the direction of plow rotation can be reversed relative to the arrows on the switch by rotating the switch 180° and re-mounting

2. Route the wiring along each frame rail to the front of the vehicle and connect to the electro-hydraulic actuators. Use the supplied cable ties from kits #18-0050 and #18-0070 to secure wiring to the mower frame. Refer to Illustration 5.

CAUTION

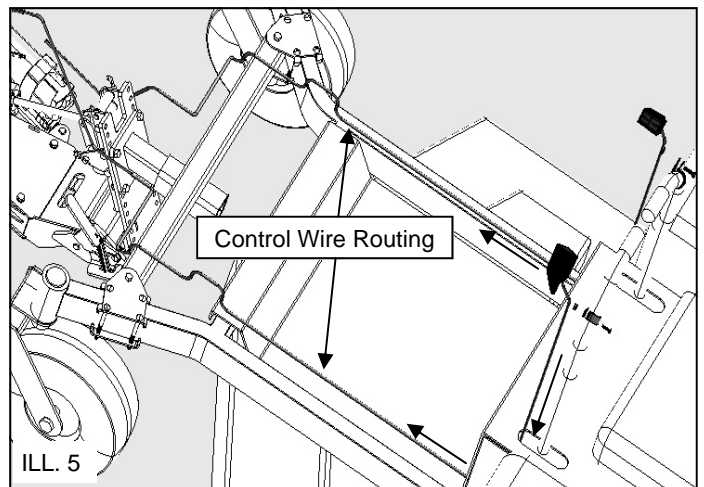
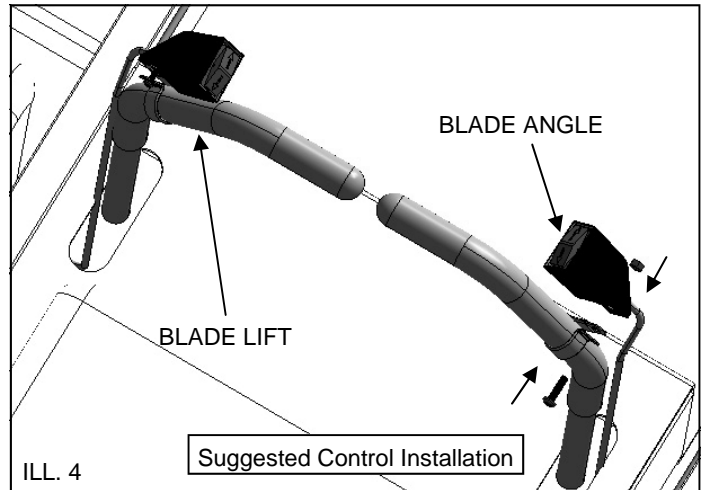
Verify routed wiring will not encounter any moving parts or hot surfaces.

3. Route the switch wiring power wires to the mower battery and install the key switch power wire to the ignition key switch 'ON' power wire of the mower.

NOTICE

Reference the battery cable illustration and key switch wiring notes on page 6 of either the #18-0050 or #18-0070 installation manual.

4. After securing all wiring and before starting the mower, operate all vehicle control levers while checking wiring for interference. Re-route wiring if necessary.





One Year Limited Warranty

For the period of one (1) year from the purchase date, Cycle Country Accessories Corporation will replace for the original purchaser, free of charge, any part or parts found upon examination by Cycle Country Accessories Corporation to be defective in material, workmanship, or both.

All transportation costs incurred submitting product to Cycle Country for warranty consideration must be borne by the purchaser. If Cycle Country determines that the product must be returned to the factory for credit, please call 1-800-841-2222 for a Return Merchandise Authorization (RMA) number and shipping instructions.

This warranty does not apply to parts that have been damaged by accident, alteration, abuse, improper maintenance, normal wear, or other causes beyond the manufacturer's control. In order to protect you and your ATV, certain parts of the plow system and/or hardware are designed to fail when the equipment is over-stressed.

Peripheral products such as engines, electric motors, and actuators may carry an original manufacturer's warranty. Please call Cycle Country Accessories Corporation for more information.

CYCLE COUNTRY ACCESSORIES CORPORATION

1701 38TH AVE W

PO BOX 257

SPENCER, IA 51301

SERVICE: 800-841-2222 FAX: 712-262-0248

E-MAIL: ccac@cyclecountry.com

WEB: www.cyclecountry.com