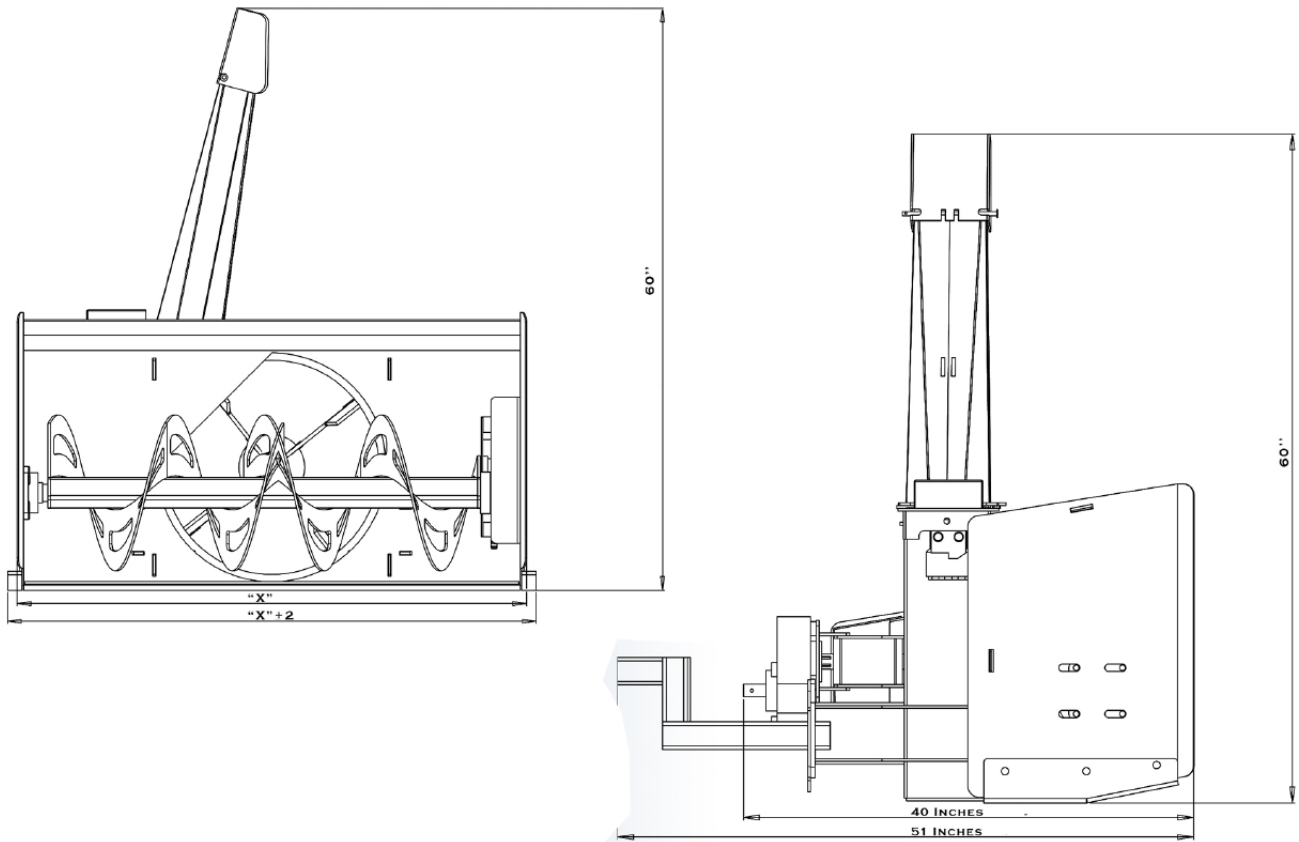




OPERATOR'S MANUAL

ACCESSORIES UNLIMITED OUT FRONT SNOWBLOWER
MOVE ANY AMOUNT OF SNOW WITH EASE AND RELIABILITY



MADE IN THE USA

TABLE OF CONTENTS

INTRODUCTION	1
TO THE PURCHASER	1
SAFETY PRECAUTIONS.....	2
BEFORE OPERATION.....	2
NOTICE.....	3
THE SNOWBLOWER	3
BEFORE OPERATION.....	3
SNOWBLOWER OPERATION	4
THE TRACTOR.....	5
GENERAL INFORMATION	5
OPERATING THE TRACTOR	5
DURING OPERATION	6
ROLL-OVER PROTECTIVE STRUCTURE (ROPS) DURING OPERATION....	6
MAINTENANCE.....	7
TRANSPORTING	8
STORAGE	8
OPERATION.....	9
GENERAL PREPARATION.....	9
ENGINE SPEED	9
INCREASING TRACTION AND STABILITY	9
ENGAGING THE DRIVE MECHANISM	9
DEFLECTOR ADJUSTMENT IF MANUAL	10
SKID SHOE ADJUSTMENT	10
SNOW REMOVAL METHODS	11
MAINTENANCE	12
GEARBOX AND REDUCTION BOX.....	12
SHEAR BOLTS.....	12
LUBRICATION.....	13
PARTS.....	14
INTRODUCTION	14
FRONT MOUNT SNOWBLOWER PARTS AND ASSEMBLY.....	15
TORQUE SPECIFICATION TABLE.....	16
WARRANTY.....	17

INTRODUCTION

TO THE PURCHASER

All products are designed to give safe, dependable service if they are operated and maintained according to instructions. Read and understand this manual before operation.

This manual has been prepared to assist the owner and operators in the safe operation and suitable maintenance of the equipment. The information was applicable to products at the time of manufacture and does not include modifications made afterwards.

Read and understand this operator's manual before attempting to put equipment into service. Familiarize yourself with the operating instructions and all the safety recommendations contained in this manual and those labeled on the equipment and on the tractor. Follow the safety recommendations and make sure that those with whom you work follow them.

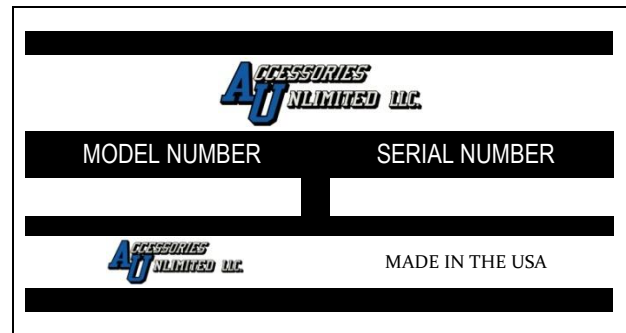
Illustrations

The illustrations may not necessarily reproduce the full detail and the exact shape of the parts or depict the actual models, but are intended for reference only.

Direction Reference

All references to right and left, forward or rearward, are from the operator's seat, facing the steering wheel.

SERIAL PLATE



To assist your dealer in handling your needs, please record hereafter the model number and the serial number of your equipment and tractor. It is also advisable to supply them to your insurance company. It will be helpful in the event that an equipment or tractor is lost or stolen.

TRACTOR

IMPLEMENT

MODEL: _____

SERIAL NUMBER: _____

DATE OF PURCHASE: _____

DEALER NAME: _____

SAFETY PRECAUTIONS



SAFETY FIRST

This symbol, the industry's "Safety Alert Symbol", is used throughout this manual and on labels on the machine itself to warn of the possibility of personal injury. Read these instructions carefully. It is essential that you read the instructions and safety regulations before you attempt to assemble or use this unit.



DANGER: Indicates an immediate hazardous situation which, if not avoided, will result in death or serious injury.



WARNING: Indicates a potentially hazardous situation which, if not avoided, will result in death or serious injury.



CAUTION: Indicates a potentially hazardous situation which, if not avoided, may result in minor or moderate injury.

IMPORTANT: Indicates that equipment or property damage could result if instructions are not followed.

NOTE: Gives helpful information.

All products are designed to give safe, dependable service if they are operated and maintained according to instructions. **Read and understand this manual before operation.** It is the owner's responsibility to be certain anyone operating this product reads this manual, and all other applicable manuals to become familiar with this equipment and all safety precautions. Failure to do so could result in serious personal injury or equipment damage. If you have any questions, consult your dealer.

BEFORE OPERATION

Children

Tragic accidents can occur if the operator is not alert to the presence of children. Children are generally attracted to machines and work being done. Never assume children will remain where you last saw them.

1. Keep children out of the operating area and under the watchful eye of another responsible adult.
2. Be alert and turn machine off if children enter the work area.
3. Before and when backing, look behind for small children.
4. Never carry children while operating the machine. They may fall off and be seriously injured or interfere with the safe operation of the machine.
5. Never allow children to play on the machine or attachment even when they are turned off.
6. Never allow children to operate the machine even under adult supervision.
7. Use extra care when approaching blind corners, shrubs, trees, or other obstructions that might hide children from sight.

SAFETY PRECAUTIONS — CONTINUED

NOTICE

A safe operator is the best assurance against accidents. All operators, no matter how experienced they may be, should read this operator's manual and all other related manuals before attempting to operate the equipment. Please read the following section and pay particular attention to all safety recommendations contained in this manual and those labeled on the equipment and on the tractor.

THE SNOWBLOWER

Before Operation

1. Read and understand this operator's manual and tractor operator's manual. Know how to operate all controls and how to stop the unit and disengage the controls quickly.
2. Never wear loose, torn, or bulky clothing around the tractor and the snowblower. It may catch on moving parts or controls, causing injury.
3. Before and during the snow season, thoroughly inspect the area where the equipment is to be used and remove all objects that may cause damage to the equipment.
4. Set transmission to neutral and disengage clutch, if equipped, before starting the engine.
5. Do not operate equipment in wintertime without wearing adequate winter garments and protective clothing.
6. Never attempt to make any adjustments while engine is running. Read this manual carefully to acquaint yourself with the equipment as well as the tractor operator's manual. Working with unfamiliar equipment can lead to accidents. Be thoroughly familiar with the controls and proper use of the equipment.
7. Keep all safety guards in place and verify hardware for proper tightening.
8. Check for moving parts excessive wear regularly. Replace worn parts with genuine parts.
9. Replace all missing, illegible, or damaged safety and warning decals. See list of decals in operator's manual.
10. Keep safety decals clean of dirt and grime.
11. Do not modify or alter this equipment or any of its components, or any equipment or any of its components, or any equipment function without first consulting your dealer.
12. Use of rear counterweights is recommended. Weights provide the necessary balance to improve stability, traction and steering. Use only those recommended by your dealer.

SAFETY PRECAUTIONS — CONTINUED

Snowblower Operation

1. Before leaving the tractor unattended, take all possible precautions. Park the tractor/snowblower on level ground, place the transmission in neutral, set the parking brake, disengage the PTO, lower the equipment to the ground, place all levers including auxiliary control levers in neutral, shut off the engine and remove the ignition key.
2. Before starting the tractor/snowblower, remove any ice that has accumulated in the auger/fan.
3. Prior to operation, clear work area of all objects that can be picked up and thrown. Mark all curbs, pipes, etc. that cannot be moved.
4. Be sure the PTO switch/lever is in OFF position before starting engine.
5. Exercise extreme caution when operating on or crossing a gravel drive, walks, or roads. Stay alert for hidden hazards or traffic.
6. Do not carry passengers.
7. Adjust collector – housing height to clear gravel or crushed rock surface.
8. Keep clear of rotating parts. Do not put hands or feet under or into snowblower with engine running, and allow the rotating parts to stop BEFORE unclogging the collector/fan housing or chute, and making any repairs, adjustments or inspections. Use only a 36" long piece of wood to unclog blower.
9. Park the tractor/snowblower on level ground, place the transmission in neutral, set the parking brake, disengage the PTO, lower the equipment to the ground, place all control levers in neutral, shut off the engine, remove the ignition key and allow the rotating parts to stop BEFORE unclogging the collector/fan housing or chute, and making any repairs, adjustments or inspections. Use only a 36" long piece of wood to unclog blower.
10. If the snowblower starts to vibrate abnormally, disengage the PTO, stop the engine immediately and check for cause. Excessive vibration is generally a sign of trouble.
11. Do not run the engine indoors except when starting engine and transporting attachment in or out of building. Carbon monoxide gas is colorless, odorless and deadly.
12. Do not attempt to operate on steep slopes. If operating on slopes is necessary, exercise extreme caution when changing direction.
13. Never operate snowblower without guards, and other safety protective devices in place.
14. Keep clear of chute discharge. This chute has the capability of throwing objects at far distances.
15. Never operate snowblower near glass enclosures, automobiles, window wells, embankments, etc. without proper adjustment of snow discharge angle.
16. Never operate machine at high transport speeds on a slippery surface.
17. Use extra caution when backing up.
18. Do not direct discharge at bystanders or animals. Ejected objects may cause injury.
19. Disengage power to auger/fan when transporting or when not in use.
20. Never operate the snowblower without good visibility and lighting.
21. Prolonged exposure to loud noise can cause impairment or loss of hearing. Wear a suitable hearing device such as earmuffs or earplugs to protect against objectionable or uncomfortable noises.
22. Never allow anyone near the work area.

SAFETY PRECAUTIONS — CONTINUED

THE TRACTOR

General Information

1. Read the operator's manual carefully before using tractor. Lack of operating knowledge can lead to accidents.
2. Do not permit anyone but the operator to ride on the tractor. There is no safe place for passengers.

Operating the Tractor

1. Never run the tractor engine in a closed building without adequate ventilation, as the exhaust fumes are very dangerous.
2. Adopt safe driving practice: Keep the brake pedals latched together at all times unless independent braking is required. Never use independent braking during transport.
3. Always drive at a safe speed relative to local conditions and ensure that your speed is low enough for an emergency stop to be safe and secure.
4. Reduce speed prior to turns to avoid the risk of overturning. Keep speed to a minimum.
5. Always keep the tractor in gear to provide engine braking when going downhill. Do not coast.
6. Never allow an open flame near the fuel tank or battery.
7. Make sure the PTO shield is installed when using the equipment and always replace the PTO shield if damaged.
8. Park the tractor/snowblower on level ground, place the transmission in neutral, set the parking brake, disengage the PTO, lower the equipment to the ground, place all levers including auxiliary control levers in neutral, shut off the engine and remove the ignition key BEFORE leaving the tractor.
9. Never park the tractor on a steep slope.
10. Do not attempt to operate on steep slopes. Avoid sudden uphill turns on steep slopes.
11. Use of rear counterweights for better traction and stability is recommended.
12. Handle fuel with care, as it is highly flammable.
13. Use approved fuel container.
14. Never add fuel to running engine or a hot engine.
15. Fill fuel tank outdoors with extreme care. Never fill fuel tank indoors. Replace fuel cap securely and wipe up spilled fuel.
16. Never allow anyone to operate the snowblower until they have read the manual completely and are thoroughly familiar with basic tractor and snowblower operation.
17. Make sure the tractor is counterweighted as recommended by your dealer. Weights provide the necessary balance to improve stability, traction and steering.
18. Always make sure all snowblower components are properly installed and securely fastened BEFORE operation.
19. Never attempt to start the engine and/or engage snowblower drive while standing beside the tractor.
20. Always start the engine from the operator's seat with all the transmission lever(s) and snowblower drive lever in neutral.
21. DO NOT bypass the safety system by shorting across the terminals of the starter motor to start the engine. This may cause the tractor to move suddenly.
22. If the safety start system does not work, consult your dealer immediately.

SAFETY PRECAUTIONS — CONTINUED

During Operation

1. Do not allow passengers on the tractor/snowblower at any time. There is no safe place for passengers on the equipment. The operator **MUST** sit in the tractor seat.
2. Eye and hearing protection is recommended when operating the snowblower.
3. Operate only during daylight hours, or when the area is well lit with bright artificial light.
4. Park the tractor/snowblower on level ground, place the transmission in neutral, set the parking brake, disengage the PTO, lower the equipment to the ground, place all control levers in neutral, shut off the engine and remove the ignition key **BEFORE** leaving the operator's seat.
5. Inspect the snowblower after striking any foreign object to assure that all snowblower parts are safe and secure and not damaged.
6. Be especially observant of the operating area and terrain. Watch for holes, rocks, or other hidden hazards. **ALWAYS** inspect the area prior to blowing.
7. **DO NOT** blow near the edge of drop-offs or banks.
8. **DO NOT** blow on steep slopes as overturn may result.
9. Operate up and down (not across) intermediate slopes. Avoid sudden starts and stops.
10. Drive tractor backwards up steeper slopes with blower off. Then blow as you travel down the slope.
11. Slow down before you change directions on any slope.
12. Use wheel weights on your tractor to increase stability on slopes.
13. Never stand alongside of the unit while the engine is running.

Roll-Over Protective Structure (ROPS) During Operation

1. **DO NOT** weld, drill or alter the ROPS. Damaged ROPS must not be straightened or used. If damage does occur, consult your dealer.
2. If ROPS is lowered or removed from the tractor for any reason, it must be erected and/or refitted immediately. Original bolts or equivalent replacements must be used and tightened to the correct torque.
3. Your dealer does not recommend usage of tractor with ROPS removed.
4. If a fold-down ROPS is used, the ROPS can be folded down for storage, but it must be pinned in the upright position prior to operation.
5. Seat belt usage: With ROPS installed on the tractor it is imperative that the seat belt be installed, used and correctly adjusted, at all times. **DO NOT** use a seat belt if operating without ROPS.
6. Keep all shields and covers in place. All tractor and equipment shields and covers must be correctly installed at all times. When necessary to remove these, they must be reinstalled immediately.
7. Keep clear of all rotating driveline components. Be especially observant of implement areas of discharge, intake or other mechanical motion.
8. Securely lock equipment drive shaft. Check that all tractor and equipment drivelines are in good working order. Equipment drive shaft coupler must securely lock to and be retained by annular groove on tractor drive shaft.
9. Additional safety equipment: A fire extinguisher and first aid kit should be kept readily accessible. These are available through your dealer.

SAFETY PRECAUTIONS — CONTINUED

MAINTENANCE

Always use genuine parts when replacement parts are required during operation.

1. Keep the tractor and snowblower properly maintained.
2. Park the tractor/snowblower on level ground, place the transmission in neutral, set the parking brake, disengage the PTO, lower the equipment to the ground, place all control levers in neutral, shut off the engine and remove the ignition key and allow the rotating parts to stop BEFORE making any snowblower adjustments.
3. To avoid injury, do not adjust, unclog or service the snowblower with the tractor engine running. Make sure rotating components have completely stopped before leaving the operator's seat.
4. Keep the tractor/snowblower clean. Snow and ice build-up can lead to malfunction or personal injury from thawing and refreezing in garage.
5. Always wear eye protection when cleaning or servicing the snowblower.
6. Service the unit in safety: DO NOT service the tractor while the engine is running or hot, or if the unit is in motion. Always lower snowblower to the ground. If necessary to service unit with blower raised, securely support with stands or suitable blocking before working underneath. Do not rely on hydraulically supported devices for your safety. They can settle suddenly, leak down, or be accidentally lowered.
7. Do not attempt to service machine, clear obstructions or unplug blockages with the engine running. Always shut off engine and allow all motion to cease.
8. The manufacturer will not claim responsibility for fitment of unapproved parts and/or accessories and any damages as a result of their use.
9. Make sure all shields and guards are securely in place following all service, cleaning, or repair work.
10. Do not modify or alter this equipment or any of its components or operating functions. If you have any questions concerning modifications, consult with your dealer.
11. Do not operate a unit which is defective or has missing parts. Make sure that all recommended maintenance procedures are completed before operating the unit.
12. Check all controls regularly and adjust where necessary.
13. Periodically check all nuts and bolts for tightness, especially wheel hub and rim nuts.
14. Snowblower fan and auger must be checked for tightness. Remove any twine, wire, etc. that may have wrapped on the fan or the auger.
15. To avoid serious personal injury: Escaping hydraulic/diesel fluid under pressure can penetrate the skin causing serious injuries. Do not use your hands to check for leaks. Use a piece of cardboard or paper to search for leaks.
16. Stop engine and relieve pressure before connecting lines. Tighten all connections before starting engine or pressurizing lines.

SAFETY PRECAUTIONS — CONTINUED

TRANSPORTING

1. Transporting on public roadway: When driving the tractor and equipment on the road or highway under 25 mph, at night or during the day, use flashing amber warning lights and the Slow Moving Vehicle ("SMV") identification emblem.
2. Check local traffic codes that may apply to unit usage on public roads and highways in your area. The use of flashing amber lights is acceptable in most localities. However, some localities may prohibit their use.
3. Always disengage equipment drive prior to transporting unit.

STORAGE

Before storing the snowblower, certain precautions should be taken to protect it from deterioration.

1. Clean the snowblower throughout.
2. Make all the necessary repairs.
3. Replace all safety signs that are damaged, lost, or otherwise become illegible. If a part to be replaced has a sign on it, obtain a new safety sign from your dealer and install it in the same place as on the removed part.
4. Repaint all parts from which paint has worn or peeled.
5. Lubricate the snowblower as instructed under the "*Lubrication*" section.
6. When the snowblower is dry, oil all moving parts. Apply oil liberally to all surfaces to protect against rust.
7. Store in a dry place.

OPERATION

GENERAL PREPARATION

1. Read the operator's manual carefully before using the tractor and snowblower. Be thoroughly familiar with the controls and proper use of the equipment. Know how to stop the unit and disengage the controls quickly.
2. Wear adequate winter outer garments while operating the equipment.
3. Make sure the snowblower is clear of snow and other material before engaging the snowblower.
4. Make sure the auger and fan operate freely.
5. Check the oil level in the reduction box and gear box and if necessary, add AGMA 5EP extreme pressure oil, SAE 80W90 gear oil or equivalent.
6. Check the two shear bolts, one on the fan and one on the driving shaft for proper tightness.
7. Adjust the skid shoes so the snowblower runs leveled.
8. Before engaging the snowblower drive, always have the engine running at idle.
9. Operate the snowblower at maximum engine RPM.

Engine Speed

1. Start the tractor engine. Let the engine warm up at least one minute before engaging the drive mechanism then increase speed gradually.
2. Make sure the snowblower head is properly positioned and engage the drive mechanism.
3. Adjust the ground speed according to conditions. For maximum power, run engine at or near full throttle.

IMPORTANT: Use full RPM power when removing wet, sticky snow. Low RPM power will tend to clog the chute.



WARNING: To avoid serious personal injury: Do not use your hands to unclog the chute. Use a 36" (925mm) stick or board. Do not attempt to unclog the chute while engine is running. If the chute is clogged, shut off the tractor engine, remove the key and allow the rotating parts to stop before removing the snow from the chute.

Increasing Traction and Stability

The use of approved tire chains and wheel weights or rear weights is recommended for extra traction and stability, especially when operating in snow and/or on slippery surfaces. See your dealer for details.

Engaging the Drive Mechanism

Refer to the tractor's operating manual for instructions.

OPERATION — CONTINUED



WARNING: To avoid serious personal injury: Make sure tractor engine and snowblower come to a complete stop and tractor drive mechanism is disengaged **BEFORE** making any adjustments.

Deflector Adjustment if Manual

The deflector angle must be set according to the distance the snow must be thrown. To adjust the angle:

- Turn the chute to right as far as possible.
- Remove hairpin from adjustment tube and adjust the deflector with the adjustment rod.
- Reinsert hairpin in adjustment tube.

Skid Shoe Adjustment

Adjust the skid shoes so that the snowblower runs level and according to the surface conditions so that stones are not thrown with the snow.

Adjust both skid shoes to the same height to keep the cutting edge level and adjust upwards for smooth surfaces.

Remove skid shoe bolts and adjust according to instructions below, and securely tighten bolts:

Clearance between cutting edge and surface:

- Level paved surface: Adjust to 1/16" to 1/8"
- Uneven or gravel surface: Adjust 1/2" to 5/8"

OPERATION — CONTINUED

SNOW REMOVAL METHODS

When removing snow, do not use the snowblower as a dozer blade to push snow. Let the snowblower work its way through deep drifts. If the speed of your tractor is too fast, the snowblower may become overloaded and clog. For best results, raise the snowblower and remove a top layer of snow. A second pass with the snowblower will remove the remaining snow.

IMPORTANT: Use full RPM power when removing wet, sticky snow. Low RPM power will tend to clog the chute.

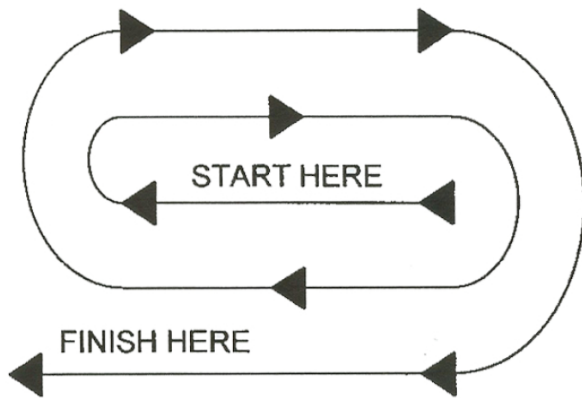


WARNING: To avoid serious personal injury: Do not use hands or feet to unclog chute. Do not attempt to clear clogged chute of snow while tractor engine is running. If the chute clogs, disengage the PTO shaft, shut off the tractor engine, set the parking brake, lower snowblower to the ground, place transmission in neutral, remove the ignition key, wait for all movement to stop, then clear the snow from the chute.

A definite pattern of operation is required to thoroughly clean the snow area. These patterns will avoid throwing snow in unwanted places as well as eliminating a second removal of snow.

PATTERN 1

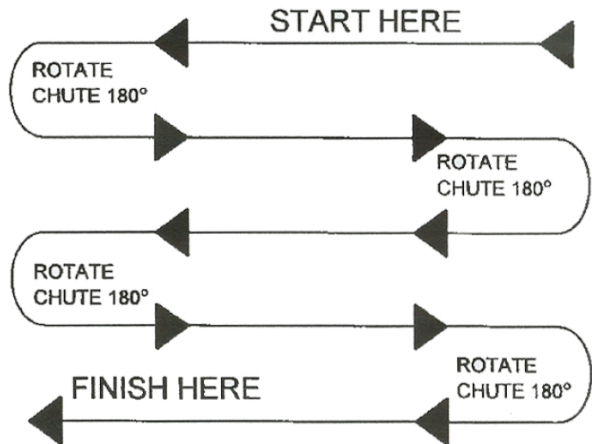
DISCHARGE SNOW BOTH SIDES



DISCHARGE SNOW BOTH SIDES

Where it is possible to throw the snow to the left and right (above), as on a long driveway, it is advantageous to start in the middle. Plow from one end to the other, throwing snow to both sides without changing the direction of the discharge guide.

PATTERN 2



DISCHARGE SNOW THIS SIDE ONLY

If the snow can only be thrown to one side of the driveway or sidewalk (above), start on the opposite side. At the end of the first pass, rotate the discharge guide 180 degrees for the return pass. At the end of each succeeding pass, rotate the discharge guide 180 degrees to maintain direction of throw in the same area.

MAINTENANCE

Always use genuine parts when replacement parts are required.



WARNING: To avoid serious personal injury:

- Before cleaning, adjusting or repairing the snowblower: Bring the tractor to a complete stop, disengage the PTO, apply parking brake, lower the implement to the ground, shut off the engine and remove the ignition key.
- Never park the tractor inside a building where an open flame or sparks are present. Allow the engine to cool down before storing in any enclosure.
- Run the snowblower a few minutes after blowing snow to prevent freeze up of auger and fan.
- Provide adequate blocking before working under the snowblower when in raised position.

GEARBOX AND REDUCTION BOX

When servicing either the gearbox or the reduction box, the sealing of the casing must be restored. To do so, apply a layer of silicone to the casing before closing it. Allow the silicone to cure for at least 24 hours before filling it with oil.

SHEAR BOLTS

Check fan shear bolt and jack shaft shear bolt at frequent intervals for proper tightness to be sure the snowblower is in safe working condition. Torque shear bolts according to the “*Torque Specification Table*” located at the end of the manual.

➤ *Fan Shear Bolt Replacement:*

Remove the broken shear bolt (if applicable) using a drift punch. Align the fan hole with the shear plate hole and insert the new Grade 5 5/16" x 1.00" bolt with lock nut according to the “*Torque Specification Table*”.

➤ *Jack Shaft Shear Bolt Replacement:*

Remove the cover and remove the broken shear bolt (if applicable) using a drift punch. Align the shear plate hole with the jack shaft hole and insert the Grade 5 5/16" x 1 3/4" bolt with lock nut according to the “*Torque Specification Table*”.

MAINTENANCE — CONTINUED

LUBRICATION

Use oil or grease gun and lubricate as follows:

DESCRIPTION	INTERVAL	LUBRICATION REQUIRED
Driveline	8 hours	Grease universal joint.
	24 hours	Separate the sliding parts and cover each one of them with grease.
Driving Chain	4 hours and after each operation	Lubricate with chain lube.
Jack Shaft	24 hours of operation	Grease fitting on shear plate.
Reduction Box	Every month	Check oil level. If needed, add AGMA 5EP extreme pressure oil, SAE 80W90 gear oil or equivalent.
	Once a year	Replace oil.
Gearbox	Every month	Check oil level. If needed, add AGMA 5EP extreme pressure oil, SAE 80W90 gear oil or equivalent.
	Once a year	Replace oil.
Bearing	24 hours of operation	Grease each auger bearing.

PARTS

INTRODUCTION

All parts are illustrated in "exploded views" which show the individual parts in the normal relationship to each other. Reference numbers are used in the illustrations. These numbers correspond to those in the "*Item No.*" column, and are followed by the description and quantity required.

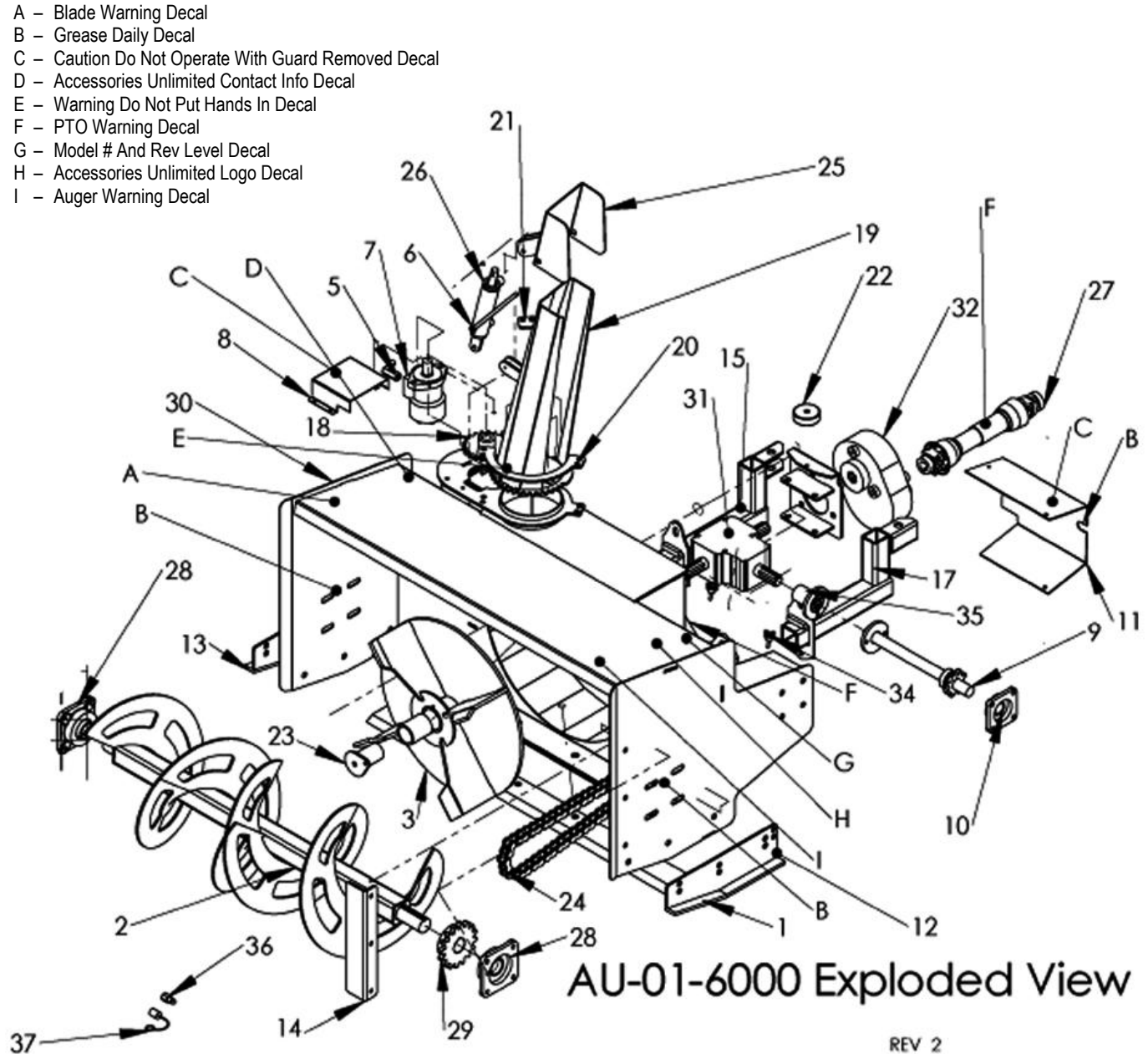
All references to right and left, forward or rearward, are from the operator's seat, facing the steering wheel.

The manufacturer reserves the right to change, modify, or eliminate from time to time, for technical or other reasons, certain or all data, specifications, or the product or products themselves, without any liability or obligation.

PARTS — CONTINUED

FRONT MOUNT SNOWBLOWER PARTS AND ASSEMBLY

ITEM NO.	PART NUMBER	QTY.
1	AU-03-1504-52	1
2	AU-02-6001	1
3	AU-02-6002	1
4	AU-02-1600	1
5	10001-00 NEEDLE VALVE	1
6	AU-02-6005	1
7	AU-03-1510	1
8	AU-03-5043	1
9	AU-02-6009	1
10	6494K35	1
11	AU-03-6030	1
12	AU-02-6010	1
13	AU-02-6011	1
14	AU-03-6036	1
15	AU-02-6012	1
16	AU-03-6042	1
17	AU-02-6013	1
18	AU-03-6044	1
19	AU-02-6003 REV 2	1
20	AU-03-6020	1
21	AU-03-6049	1
22	AU-03-1028	1
23	AU-02-6015	1
24	80 HEAVY CHAIN	1
25	AU-02-6016	1
26	AU-01-1600	1
27	AU-02-6014	1
28	6494K35	2
29	80-16 TOOTH SPROCKET	1
30	AU-02-6017	1
31	WT-022B-01 GEARBOX	1
32	SPEED REDUCER	1
33	AU-02-6018	1
34	AU-03-6062	2
35	AU-02-6008	1
36	AU-03-6063 QUICK COUPLER	1
37	AU-03-6064 DUST CAP	1



AU-01-6000 Exploded View

REV 2

TORQUE SPECIFICATION TABLE

GENERAL SPECIFICATION TABLE

Use the following torques when special torques are not given. Note: These values apply to fasteners as received from supplier, when dry. These values do not apply if lubricants are used.

BOLT SIZES (SAE)	TORQUE	
INCHES	POUNDS-FOOT	NEWTONS-METER
1/4	5	7
5/16	10	14
3/8	20	27
7/16	25	41
1/2	88	119
9/16	121	164
5/8	165	224
3/4	297	403
7/8	440	597
1	638	865
1 1/8	840	1139
1 1/4	1180	1600
1 3/8	1570	2129
1 1/2	2070	2807

BOLT SIZES (METRIC)	TORQUE	
MILLIMETERS	POUNDS-FOOT	NEWTONS-METER
M6	10	13
M8	22	30
M10	40	54
M12	59	80
M14	93	126
M16	130	176
M18	168	228
M20	205	278

WARRANTY

ACCESSORIES UNLIMITED LLC ATTACHMENTS

Accessories Unlimited LLC warrants to its authorized dealers who in turn warrant to the original owner, that each new Accessories Unlimited LLC attachment will be free from proven defects in material and workmanship for twelve (12) months after delivery by the authorized Accessories Unlimited LLC dealer to the original buyer.

During the warranty period, the authorized Accessories Unlimited LLC dealer shall repair or replace, at Accessories Unlimited LLC's option, without charge for parts and labor, any part of the Accessories Unlimited LLC product which fails because of defects in material or workmanship. The owner shall provide the authorized Accessories Unlimited LLC dealer with prompt written notice of the defect and allow reasonable time for replacement or repair. Accessories Unlimited LLC may, at its option, require failed parts to be returned to the factory. Travel time of mechanics and transportation of the Accessories Unlimited LLC product to the authorized Accessories Unlimited LLC dealer for warranty work are the responsibility of the owner. The remedies provided in this warranty are exclusive.

This warranty does not cover replacement of scheduled service items and high wear items. The owner shall rely solely on the warranty, if any, of the respective manufacturers thereof. This warranty does not cover damages resulting from abuse, accidents, alterations, use of the Accessories Unlimited LLC product as an attachment on any equipment not approved by Accessories Unlimited LLC, air flow obstructions, or failure to maintain or use the Accessories Unlimited LLC product according to the instructions applicable to it.

THIS WARRANTY IS EXCLUSIVE AND IN LIEU OF ALL OTHER WARRANTIES AND CONDITIONS, EXCEPT THE WARRANTY OF TITLE, ACCESSORIES UNLIMITED LLC DISCLAIMS ALL OTHER WARRANTIES AND CONDITIONS, EXPRESS OR IMPLIED, INCLUDING ANY IMPLIED WARRANTIES OR CONDITIONS OF MERCHANTABILITY OR FITNESS FOR A PARTICULAR PURPOSE. IN NO EVENT SHALL ACCESSORIES UNLIMITED LLC OR THE AUTHORIZED ACCESSORIES UNLIMITED LLC DEALER BE LIABLE FOR ANY SPECIAL, INCIDENTAL, INDIRECT OR CONSEQUENTIAL DAMAGES, WHATSOEVER, INCLUDING, BUT NOT LIMITED TO, LOSS OR INTERRUPTION OF BUSINESS, LOST PROFITS, OR LOSS OF MACHINE USE, WHETHER BASED ON CONTRACT, WARRANTY, TORT, NEGLIGENCE, STRICT LIABILITY, STATUTE OR OTHERWISE, EVEN IF ACCESSORIES UNLIMITED LLC OR THE AUTHORIZED ACCESSORIES UNLIMITED LLC DEALER HAS BEEN ADVISED OF THE POSSIBILITY OF SUCH DAMAGES. THE TOTAL LIABILITY OF ACCESSORIES UNLIMITED LLC AND THE AUTHORIZED ACCESSORIES UNLIMITED LLC DEALERS WITH RESPECT TO THE PRODUCT AND SERVICES FURNISHED HEREUNDER SHALL NOT EXCEED THE PURCHASE PRICE OF THE PRODUCT UPON WHICH SUCH LIABILITY IS BASED.



OPERATOR'S MANUAL
ACCESSORIES UNLIMITED OUT FRONT SNOWBLOWER

MADE IN THE USA